

CATÁLOGO GENERAL	141.0	SALES
		PROGRAM

# Your reel partner



**LANTEK  
HIDRAULICA S.L.**  
Equipos y Sistemas Hidráulicos

Landeta kalea,2. Pab.8 Pol. Ind Trobika  
48100 MUNGUIA (Bizkaia)  
Tel: 94 674 21 62 Fax: 94674 21 63  
lantekhidraulica@lantekhidraulica.com



Company certified  
ISO 9001

Avvolgitubo per oleodinamica,  
idraulica, pneumatica e gas  
Avvolgitori per cavi elettrici  
Avvolgitori combinati elettroidraulici  
Trasduttori di angolo e sfilo

[www.demac.it](http://www.demac.it)

**CARRETES DE MANGUERAS HIDRÁULICAS**

	<i>Pg.</i>	<i>Ref.</i>
MANGUERA DOBLE 30 l/min 2 VÍAS	1	AG COMPACT
MANGUERA DOBLE 40 l/min 2 VÍAS	2	AG STANDARD
MANGUERA DOBLE 40 l/min 2 VÍAS	4	AG/F
MANGUERA DOBLE 80 l/min 2 VÍAS	6	AG.19
MANGUERA DOBLE 135 l/min 2 VÍAS	7	AG.25
MANGUERA SIMPLE 80 l/min 2 VÍAS	8	A2.19
MANGUERA SIMPLE 135 l/min 2 VÍAS	9	A2.25
MANGUERA DOBLE 40 l/min 4 VÍAS	10	A4
MANGUERA DOBLE 40 l/min 4 VÍAS	12	M4
MANGUERA DOBLE 40 l/min 4 VÍAS	13	DS
MANGUERA SIMPLE 80 l/min 4 VÍAS	14	A4.19
MANGUERA DOBLE 40 l/min 3 VÍAS	15	A3
MANGUERA SIMPLE 80 l/min 3 VÍAS	17	A3.19
30-135 l/min 1 VÍA, 1 espiral	18	S1
30-135 l/min VÍA, multi espiral	20	M1
135 l/min 1 VÍA	21	A1.25
MANGUERA DOBLE 30 l/min 5 VÍAS	22	A5
MANGUERA DOBLE 30 l/min 6 VÍAS	24	A6
MANGUERA DE 2 VÍAS CON SISTEMA DE BLOQUEO	26	LS
2 VÍAS + CABLE "COMBINADO"	27	AG/E
3 VÍAS + CABLE "COMBINADO"	29	A3/E
4 VÍAS + CABLE "COMBINADO"	30	A4/E
5 VÍAS + CABLE "COMBINADO"	31	A5/E
PARA VEHÍCULOS DE INTERVENCIÓN RÁPIDA	32	RT1 - RT2

**HYDRAULIC HOSE REELS**

2 PORT - 30 l/min TWIN HOSE  
2 PORT 40 l/min TWIN HOSE  
2 PORT 40 l/min TWIN HOSE  
2 PORT 80 l/min TWIN HOSE



2 PORT 135 l/min TWIN HOSE



2 PORT 80 l/min SINGLE HOSE



2 PORT 135 l/min SINGLE HOSE



4 PORT 40 l/min TWIN HOSE



4 PORT 40 l/min TWIN HOSE



4 PORT 40 l/min TWIN HOSE



4 PORT 80 l/min SINGLE HOSE



3 PORT 40 l/min TWIN HOSE



3 PORT 80 l/min SINGLE HOSE



1 PORT 30-135 l/min



1 PORT 30-135 l/min



1 PORT 135 l/min



5 PORT 30 l/min TWIN HOSE



6 PORT 30 l/min TWIN HOSE



2 PORT WITH HOSE LOCK SYSTEM



2 PORT + CABLE - "COMBINED"



3 PORT + CABLE - "COMBINED"



4 PORT + CABLE "COMBINED"



5 PORT + CABLE "COMBINED"



RESCUE TOOLS

**CARRETES DE MANGUERAS PARA USO VARIADO**
*Pg.*
*Ref.*
**GENERIC PURPOSE HOSE REELS**

AIRE, AGUA, ACEITE, GRASA

33

9000



AIR, WATER, OIL, GREASE

AIRE, AGUA, ACEITE, GASOLINA

35

9100



AIR, WATER, OIL, DIESEL

AIRE

36

800



AIR

AIRE COMPRIMIDO

37

820



COMPRESSED AIR

GAS DE SOLDADURA

38

GAS



WELDING GAS

**CARRETES DE CABLE**
**CABLE REELS**

75V 5A AUTOMÁTICO

39

CR 025

75 V 5A AUTOMATIC

75V 5A AUTOMÁTICO

40

CR 10

75 V 5A AUTOMATIC

75V 8A AUTOMÁTICO

42

CR 15

75 V 8A AUTOMATIC

75V 12A AUTOMÁTICO

44

CR 25

75 V 12A AUTOMATIC

230 - 400V AUTOMÁTICO

45

6000

230 400 V AUTOMATIC

CARRETE DE CABLE SERIE "LR"

47

LR

CABLE-REEL SERIES "LR"

230 - 400V CON SISTEMA DE BLOQUEO AUTOMÁTICO

48

500

230 - 400 V AUTOMATIC LOCK SYSTEM

12 380V CON SISTEMA DE BLOQUEO AUTOMÁTICO

49

700

12 - 380 V AUTOMATIC LOCK SYSTEM





**MANGUERAS Y CABLES***Pg.**Ref.*

MANGUERA SIMPLE

50

TU 1



SINGLE HOSES

MANGUERA DOBLE

51

TU 2



TWIN HOSES

MANGUERA DE 3 VÍAS

52

TU 3



3 WAYS HOSES

MANGUERA 3 VÍAS + CABLE

52

TU 3 + E



3 WAYS HOSES + CABLE

MANGUERA 2 VÍAS + CABLE

52

TU 2+E



2 WAYS HOSES + CABLE

CABLES ELÉCTRICOS

53

CAE



ELECTRICAL CABLES

**ACCESORIOS****ACCESSORIES**

BLOQUES GIRATORIOS

54

GR



SWIVEL BLOCKS

BLOQUES GIRATORIOS

55

9900



SWIVEL BLOCKS

COCODRILO

56

CDL



CROCODILE

TOPE MANGUERA

57

STP



HOSE STOPPER

GUÍAS DE MANGUERAS

58

GU



HOSE GUIDES

POLEAS

59

PLL



PULLEYS

ACCESORIOS PARA CARRETES DE  
MANGUERAS SERES 9000 Y 9100

60

90 . A

ACCESSORIES  
FOR HOSE REEL  
SERIES 9000 &  
9100



141.0

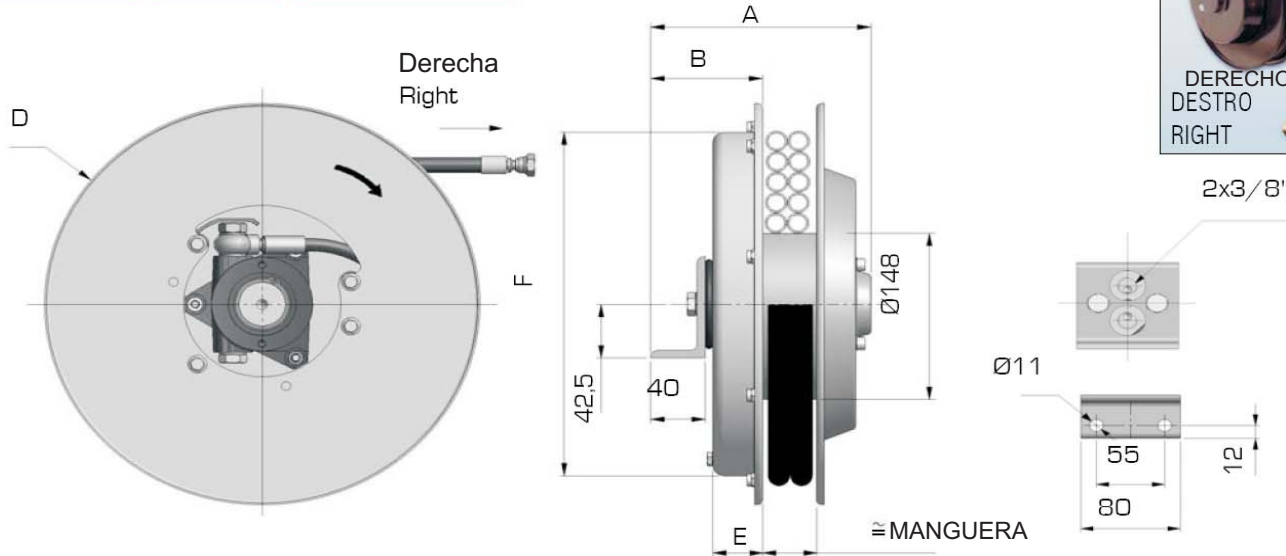
MAX  
30 l/min

PRESIÓN  
300 bar

VEL. MAX. MANGUERA  
30 m/min

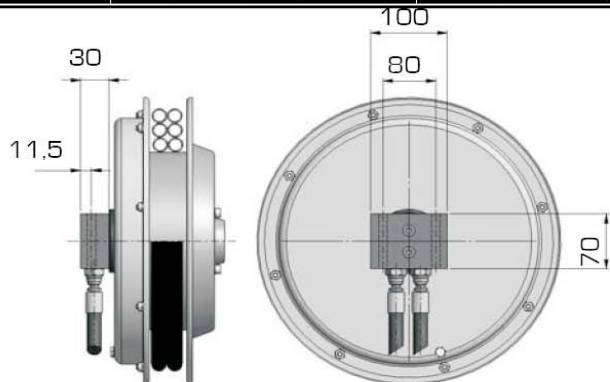


DERECHO  
DESTRO  
RIGHT



AGD 295 = MODELO DERECHO / RIGHT MODEL  
 AGS 295 = MODELO IZQUIERDO / LEFT MODEL  
 Es. ORD: AGD 295.10.R7

Código derecho Right code	A	B	D	E	F	Con manguera / With Hose R7-R8-B1		Con manguera / With Hose B2		
						Ø	Long. total Total length m	Long. útil Usable length m	Tota' Total m	Uti' Usable m
AGD200.05.XX	133	65	200	30	195	3/16"	2,5	2,3	-	-
AGD200.06.XX						1/4"	1,5	1,3	-	-
AGD230.05.XX						3/16"	3,0	2,7	-	-
AGD230.06.XX	141	75	235	30	228	1/4"	2,2	1,9	-	-
AGD230.08.XX						5/16"	2,0	1,7	-	-
AGD230.10.XX						3/8"	2,0	1,7	-	-
AGD270.05.XX	150	75	275	30	272	3/16"	4,5	4,2	-	-
AGD270.06.XX						1/4"	4,0	3,7	-	-
AGD270.08.XX						5/16"	3,2	2,9	2,6	2,3
AGD270.10.XX						3/8"	2,8	2,5	2,5	2,2
AGD295.06.XX	150	75	295	35	272	1/4"	4,7	4,4	-	-
AGD295.08.XX						5/16"	4,2	3,9	3,5	3,2
AGD295.10.XX						3/8"	3,6	3,3	3,0	2,7
AGD320.06.XX	150	82	325	37	272	1/4"	5,5	5,2	-	-
AGD320.08.XX						5/16"	5,0	4,7	4,0	3,7
AGD320.10.XX						3/8"	4,5	4,2	4,0	3,7
AGD340.06.XX	150	82	340	37	272	1/4"	6,0	5,7	-	-
AGD340.08.XX						5/16"	5,3	5,0	4,5	4,2
AGD340.10.XX						3/8"	4,6	4,3	4,3	4,0



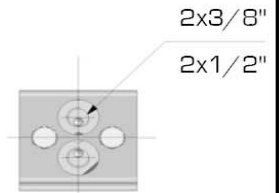
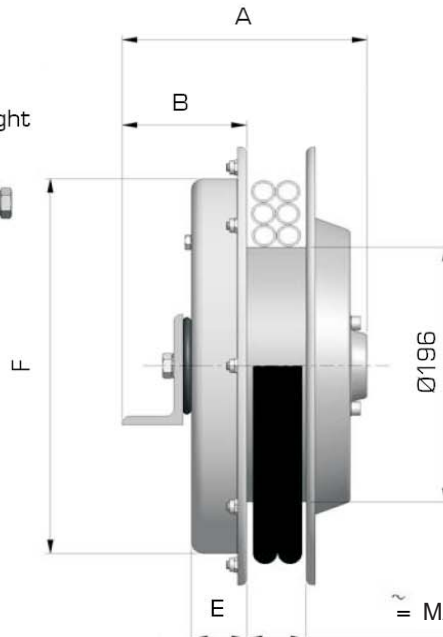
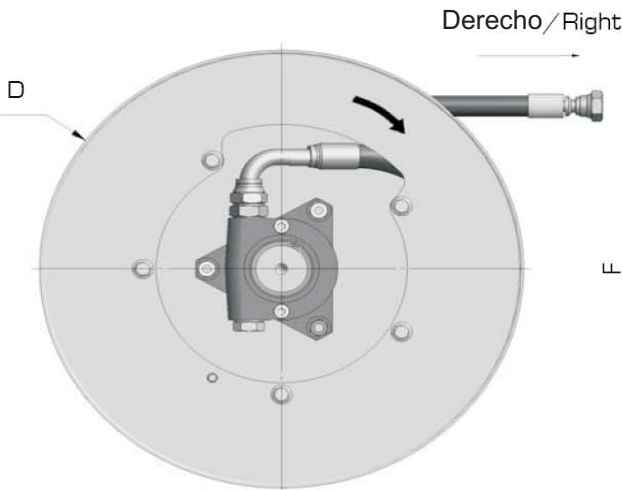
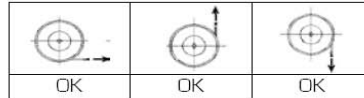
SOPORTE OPCIONAL  
 OPTIONAL SUPPORT UPON  
 REQUEST  
 SUPPORT OPTIONEL  
 SONDERTROMMELHALTER AUF  
 ANFRAGE

Ref./B Ex.: AGD 295.10.R7/B

141.0

MAX  
40 l/min

PRESIÓN bar  
Option 400 bar



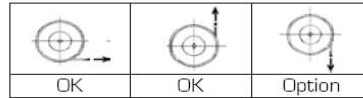
AGD 400 = MODELO DERECHO / RIGHT MODEL  
 AGS 400 = MODELO IZQUIERDO / LEFT MODEL  
 Es. ORD: AGD 400.10.R7

Modelo derecho Right model	A	B	D	E	F	Manguera / Hose R7 - R8 - B1 - B2		
						Ø	Long. Total	Long útil
							Total length	Usable length
	mm						m	m
AGD296.06.XX	161	75	295	35	291	1/4"	3,0	2,7
AGD296.08.XX						5/16"	2,3	2,0
AGD296.10.XX						3/8"	2,3	2,0
AGD296.12.XX						1/2"	1,5	1,2
AGD321.06.XX	161	82	325	37	272	1/4"	4,0	3,7
AGD321.08.XX						5/16"	3,2	2,9
AGD321.10.XX						3/8"	3,3	3,0
AGD321.12.XX						1/2"	2,5	2,2
AGD341.06.XX	161	82	340	37	272	1/4"	5,0	4,7
AGD341.08.XX						5/16"	4,2	3,9
AGD341.10.XX						3/8"	4,0	3,7
AGD341.12.XX						1/2"	2,5	2,2
AGD370.06.XX	161	82	370	37	272	1/4"	6,0	5,7
AGD370.08.XX						5/16"	5,3	5,0
AGD370.10.XX						3/8"	4,5	4,2
AGD370.12.XX						1/2"	3,5	3,2
AGD400.06.XX	161	82	400	47	322	1/4"	7,3	7,0
AGD400.08.XX						5/16"	6,5	6,2
AGD400.10.XX						3/8"	5,6	5,3
AGD400.12.XX						1/2"	4,5	4,2
AGD420.06.XX	161	82	420	47	322	1/4"	8,6	8,1
AGD420.08.XX						5/16"	8,0	7,5
AGD420.10.XX						3/8"	6,7	6,2
AGD420.12.XX						1/2"	4,7	4,2
AGD470.06.XX	161	82	478	47	322	1/4"	11,5	11,0
AGD470.08.XX						5/16"	10,0	9,5
AGD470.10.XX						3/8"	9,5	9,0
AGD470.12.XX						1/2"	7,5	7,0

141.0

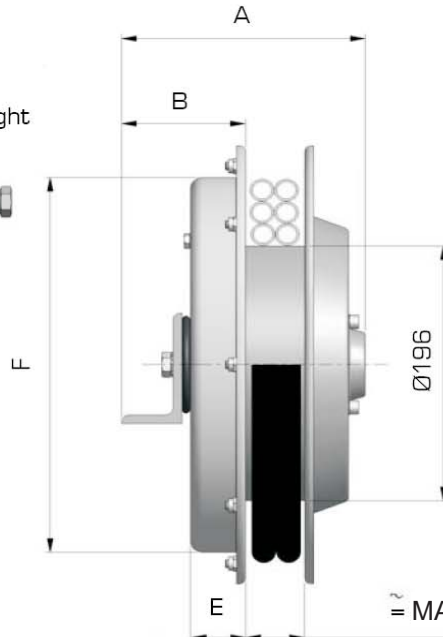
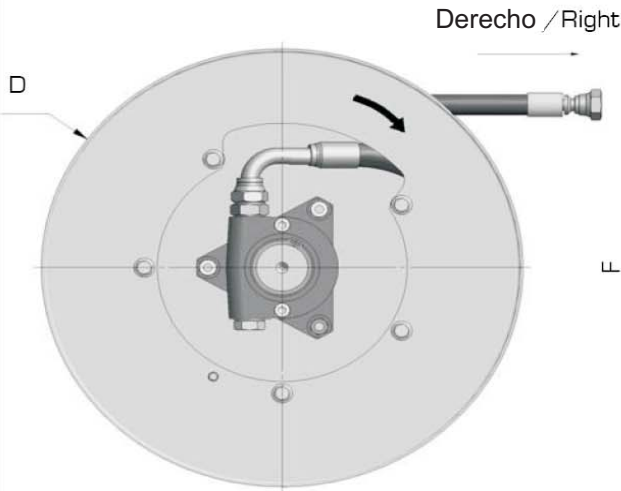
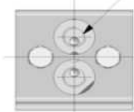
MAX  
40 l/min

PRESIÓN 300 bar  
Option 400 bar



DERECHO  
DESTRO  
RIGHT

2x3/8"  
2x1/2"



≈ MANGUERA

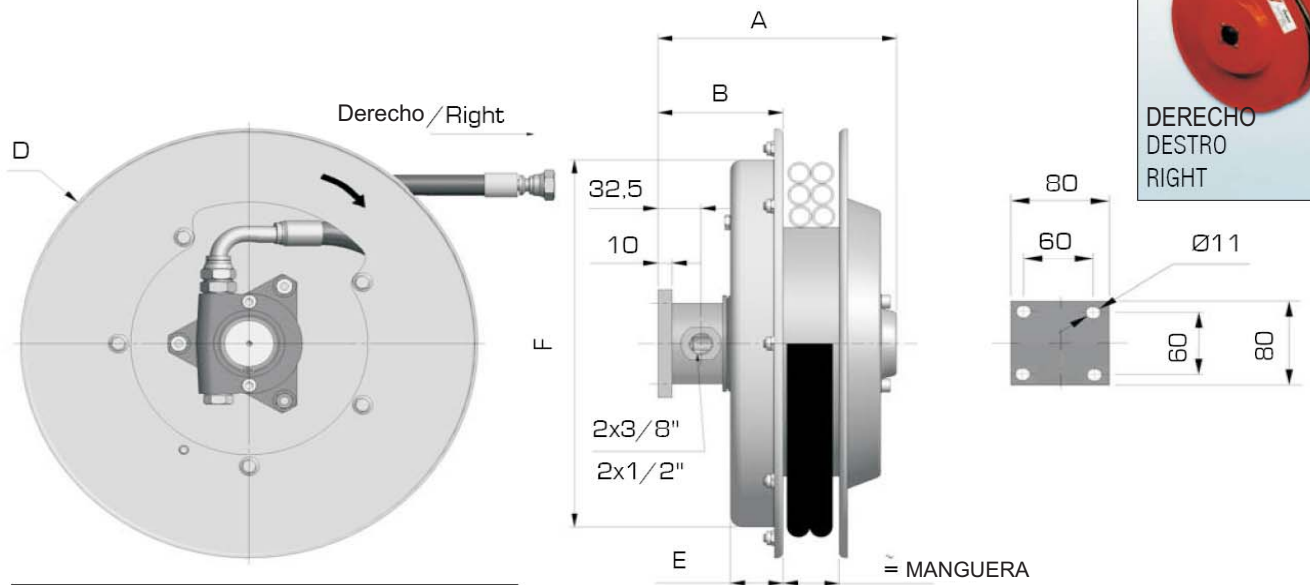
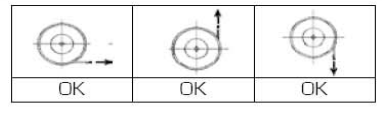
AGD 400 = MODELO DERECHO / RIGHT MODEL  
AGS 400 = MODELO IZQUIERDO / LEFT MODEL  
Es. ORD: AGD 400.10.R7

Modelo derecho	A	B	D	E	F	Manguera		
						Ø	Long. Total	Long. Útil
							Total length	Usable length
Right model	mm						m	m
AGD520.06.XX	171	92	520	47	322	1/4"	14,5	14,0
AGD520.08.XX					5/16"	12,5	12,0	
AGD520.10.XX					422	3/8"	11,2	10,7
AGD520.12.XX						1/2"	9,0	8,5
AGD570.06.XX	171	92	570	47	422	1/4"	17,5	17,0
AGD570.08.XX					5/16"	15,5	15,0	
AGD570.10.XX					3/8"	13,5	13,0	
AGD570.12.XX					1/2"	10,7	10,2	
AGD600.06.XX	171	92	620	47	422	1/4"	21,0	20,5
AGD600.08.XX					5/16"	17,0	16,5	
AGD600.10.XX					3/8"	16,0	15,5	
AGD600.12.XX					1/2"	12,5	12,0	
AGD650.06.XX	181	102	650	57	422	1/4"	22,5	22,0
AGD650.08.XX					5/16"	19,5	19,0	
AGD650.10.XX					3/8"	17,5	17,0	
AGD650.12.XX					1/2"	14,5	14,0	
AGD700.06.XX	181	102	720	57	532	1/4"	27,0	26,5
AGD700.08.XX					5/16"	22,0	21,5	
AGD700.10.XX					3/8"	20,0	19,5	
AGD700.12.XX					1/2"	16,0	15,5	
AGD800.08.XX	191	112	820	67	532	5/16"	30,0	29,0
AGD800.10.XX					3/8"	26,0	25,0	
AGD800.12.XX					1/2"	21,0	20,0	
AGD900.08.XX	201	122	920	67	532	5/16"	38,0	37,0
AGD900.10.XX					3/8"	34,0	33,0	
AGD900.12.XX					1/2"	28,0	27,0	
AGD1000.10.XX	226	122	1000	67	687	3/8"	36,0	35,0
AGD1000.12.XX					1/2"	35,0	34,0	



141.0

MAX 40 l/min  
 PRESIÓN 300 bar  
 Option 400 bar

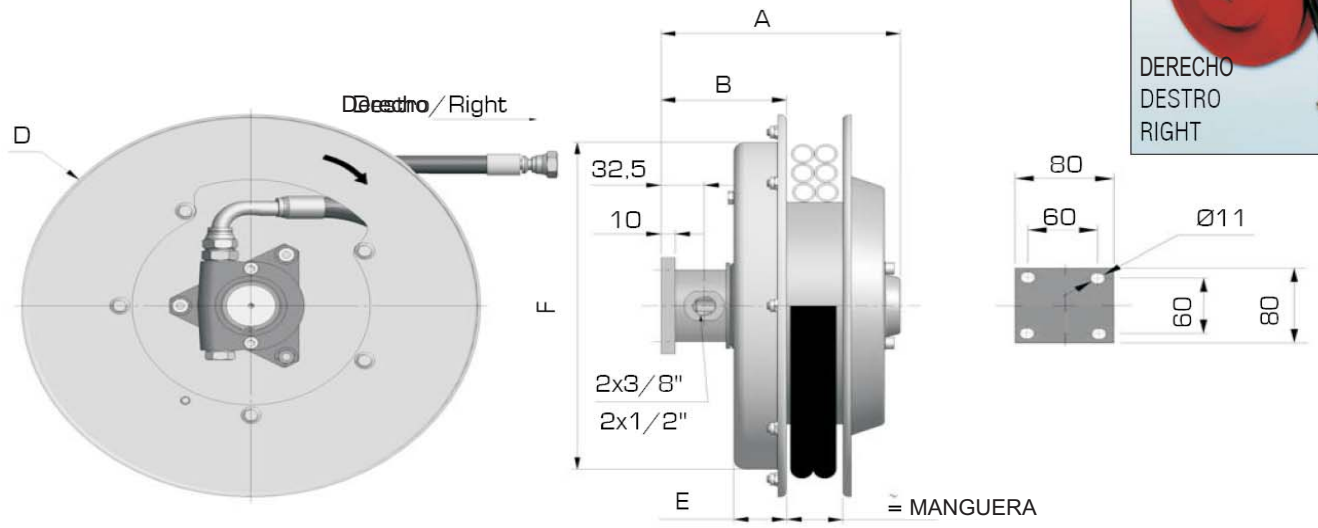
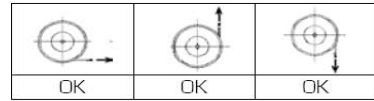


AGD 400 = MODELO DERECHO / RIGHT MODEL  
 AGS 400 = MODELO IZQUIERDO / LEFT MODEL  
 Es. ORD: AGD 400.10.R7/F

Modelo derecho Right model	A	B	D	E	F	Con manguera / With hose - R7 - R8 - B1 - B2		
						Ø	Long. Total Total length m	Long. Útil Usable length m
AGD270.06.XX/F	166		275	30	270	1/4"	4.0	3.7
AGD270.08.XX/F						5/16"	3.2	2.9
AGD270.10.XX/F						3/8"	2.8	2.5
AGD296.06.XX/F	166	75	295	35	291	1/4"	3.0	2.7
AGD296.08.XX/F						5/16"	2.3	2.0
AGD296.10.XX/F						3/8"	2.3	2.0
AGD296.12.XX/F	212					1/2"	1.5	1.2
AGD321.06.XX/F	166	82	325	37	272	1/4"	4.0	3.7
AGD321.08.XX/F						5/16"	3.2	2.9
AGD321.10.XX/F						3/8"	3.3	3.0
AGD321.12.XX/F						212	1/2"	2.5
AGD341.06.XX/F	166	82	340	37	272	1/4"	5.0	4.7
AGD341.08.XX/F						5/16"	4.2	3.9
AGD341.10.XX/F						3/8"	4.0	3.7
AGD341.12.XX/F						212	1/2"	2.5
AGD370.06.XX/F	166	82	370	37	272	1/4"	6.0	5.7
AGD370.08.XX/F						5/16"	5.3	5.0
AGD370.10.XX/F						3/8"	4.5	4.2
AGD370.12.XX/F						212	1/2"	3.5
AGD400.06.XX/F	166	82	400	47	322	1/4"	7.3	7.0
AGD400.08.XX/F						5/16"	6.5	6.2
AGD400.10.XX/F						3/8"	5.6	5.3
AGD400.12.XX/F						212	1/2"	4.5
AGD420.06.XX/F	166	97	420	47	322	1/4"	8.6	8.1
AGD420.08.XX/F						5/16"	8.0	7.5
AGD420.10.XX/F						3/8"	6.7	6.2
AGD420.12.XX/F						212	1/2"	4.7
AGD470.06.XX/F	166	97	478	47	322	1/4"	11.5	11.0
AGD470.08.XX/F						5/16"	10.0	9.5
AGD470.10.XX/F						3/8"	9.5	9.0
AGD470.12.XX/F						212	1/2"	7.5

141.0

MAX 40 l/min  
 PRESIÓN 300 bar  
 Option 400 bar



AGD 400 = MODELO DERECHO / RIGHT MODEL  
 AGS 400 = MODELO IZQUIERDO / LEFT MODEL  
 Es. ORD: AGD 400.10.R7/F

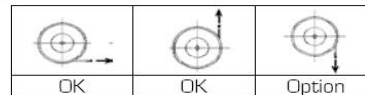
Modelo derecho Right model	A	B	D	E	F	Con manguera / With hose		
						Ø	Long. Total Total length m	Long. Total Usable length m
AGD520.06.XX/F	176	97	520	47	322	1/4"	14,5	14,0
AGD520.08.XX/F						5/16"	12,5	12,0
AGD520.10.XX/F						3/8"	11,2	10,7
AGD520.12.XX/F						1/2"	9,0	8,5
AGD570.06.XX/F	176	97	570	47	322	1/4"	17,5	17,0
AGD570.08.XX/F						5/16"	15,5	15,0
AGD570.10.XX/F					422	3/8"	13,5	13,0
AGD570.12.XX/F						1/2"	10,7	10,2
AGD600.06.XX/F	176	97	620	47	422	1/4"	21,0	20,5
AGD600.08.XX/F						5/16"	17,0	16,5
AGD600.10.XX/F						3/8"	16,0	15,5
AGD600.12.XX/F						1/2"	12,5	12,0
AGD650.06.XX/F	176	97	650	47	422	1/4"	22,5	22,0
AGD650.08.XX/F						5/16"	19,5	19,0
AGD650.10.XX/F						3/8"	17,5	17,0
AGD650.12.XX/F						1/2"	14,5	14,0
AGD700.06.XX/F	176	97	720	47	532	1/4"	27,0	26,5
AGD700.08.XX/F						5/16"	22,0	21,5
AGD700.10.XX/F						3/8"	20,0	19,5
AGD700.12.XX/F						1/2"	16,0	15,5
AGD800.08.XX/F	186	107	820	57	532	5/16"	30,0	29,0
AGD800.10.XX/F						3/8"	26,0	25,0
AGD800.12.XX/F						1/2"	21,0	20,0

141.0

MAX  
80 l/min

PRESIÓN  
350 bar

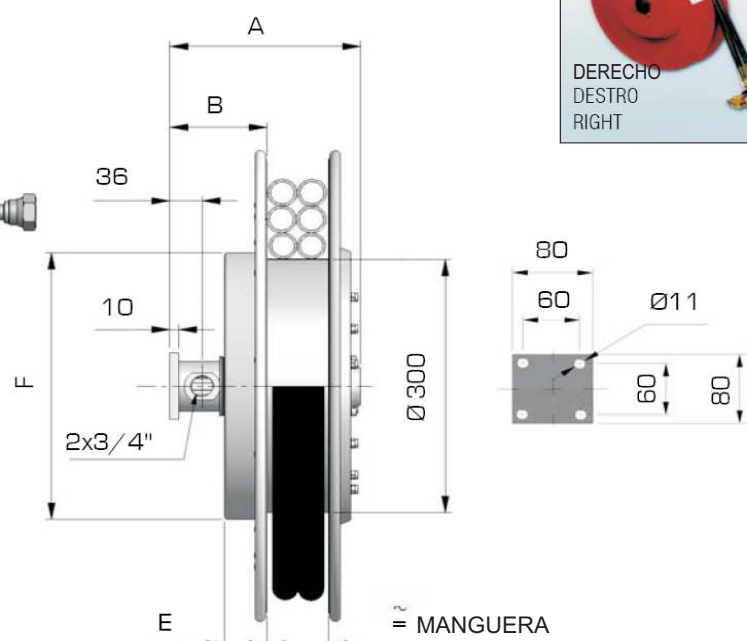
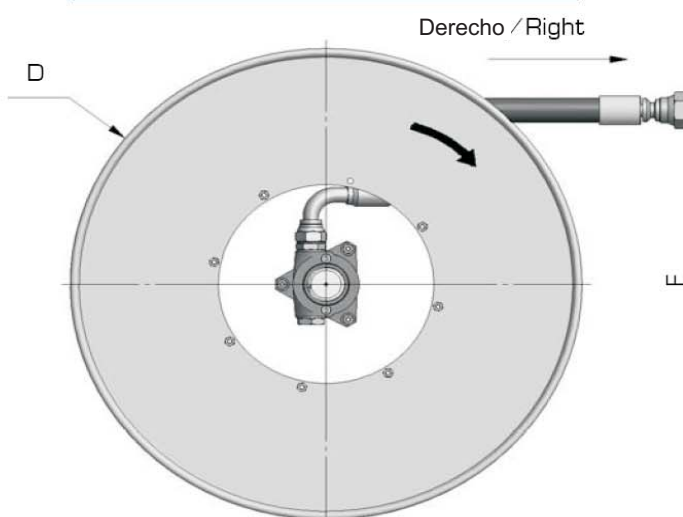
VEL. MAX. MANGUERA  
30 m/min



**d/Comac**



AGD470 = MODELO DERECHO / RIGHT MODEL  
AGS470 = MODELO IZQUIERDO / LEFT MODEL  
Es. ORD. AGD470.19.12.B2

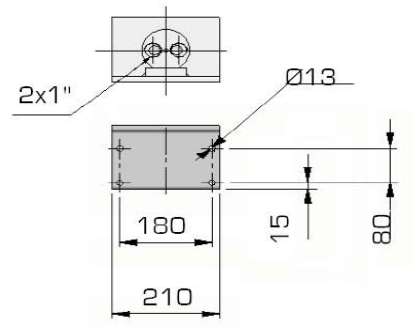
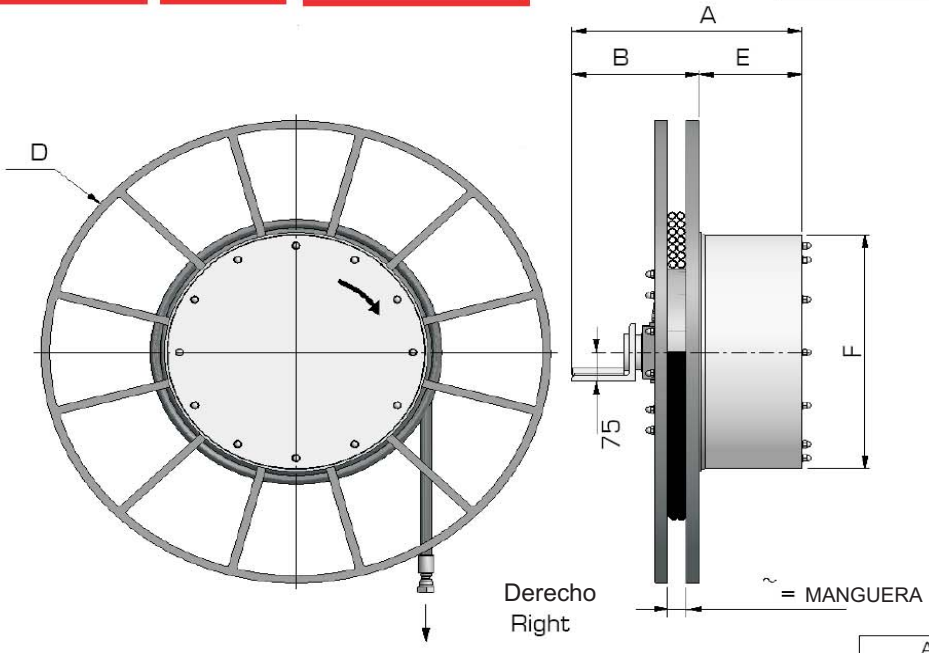
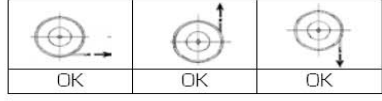


Modelo derecho Right model	A	B	D	E	F	Ø	Con manguera - with hose B1		Con manguera - with hose B2-B3	
							Long. Total Total length	Long. Útil Usable length	Long. Total Total length	Long. Útil Usable length
						mm				
						m				
AGD420.19.12.XX						1/2"	3,5	3,0	3,5	3,0
AGD420.19.16.XX	212	108	420	47	322	5/8"	-	-	2,6	2,1
AGD420.19.19.XX						3/4"	-	-	2,6	2,1
AGD470.19.12.XX						1/2"	5,0	4,5	5,0	4,5
AGD470.19.16.XX	212	108	478	47	322	5/8"	-	-	4,0	3,5
AGD470.19.19.XX						3/4"	-	-	4,0	3,5
AGD520.19.12.XX						1/2"	8,0	7,5	6,8	6,3
AGD520.19.16.XX	212	108	520	47	422	5/8"	-	-	5,4	4,9
AGD520.19.19.XX						3/4"	-	-	5,4	4,9
AGD570.19.12.XX						1/2"	10,0	9,5	8,5	8,0
AGD570.19.16.XX	222	108	570	47	422	5/8"	-	-	7,0	6,5
AGD570.19.19.XX						3/4"	-	-	7,0	6,5
AGD600.19.12.XX						1/2"	12,0	11,5	12,0	11,5
AGD600.19.16.XX	232	128	620	57	422	5/8"	-	-	8,8	8,3
AGD600.19.19.XX						3/4"	-	-	7,5	7,0
AGD650.19.12.XX						1/2"	13,0	12,5	-	-
AGD650.19.16.XX	242	138	650	67		5/8"	-	-	10,0	9,5
AGD650.19.19.XX						3/4"	-	-	9,0	8,5
AGD700.19.12.XX						1/2"	18,0	17,5	16,4	15,9
AGD700.19.16.XX	242	138	720	67	532	5/8"	-	-	13,0	12,5
AGD700.19.19.XX						3/4"	-	-	11,5	11,0
AGD800.19.12.XX						1/2"	25,0	24,0	21,0	20,0
AGD800.19.16.XX	242	138	820	67	532	5/8"	-	-	17,5	16,5
AGD800.19.19.XX						3/4"	-	-	16,0	15,0
AGD900.19.12.XX						1/2"	30,0	29,0	29,0	28,0
AGD900.19.16.XX	242	138	920	67	532	5/8"	-	-	23,0	22,0
AGD900.19.19.XX						3/4"	-	-	21,0	20,0



141.0

MAX 135 l/min  
 PRESIÓN 350 bar  
 VEL. MAX. MANGUERA 30 m/min

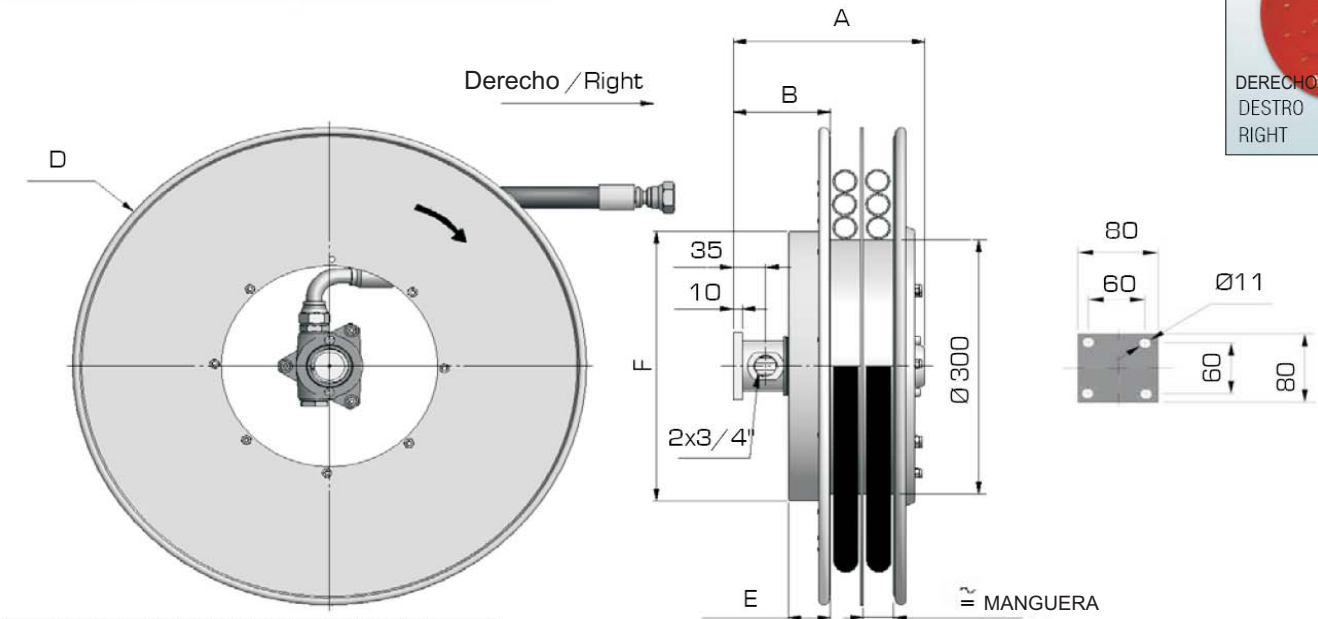
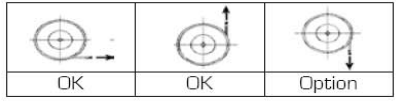


AGD 800 = MODELO DERECHO / RIGHT MODEL  
 AGS 800 = MODELO IZQUIERDO / LEFT MODEL  
 Es. ORD. AGD800.25.10.B1

Modelo derecho Right model	A	B	D	E	F	Manguera / Hose B1 - B2 - B3		
						Ø	Long. Total Total length m	Long. Útil Usable length m
AGD800.25.10.XX	440	180	810	155	605	3/8"	20	19
AGD800.25.12.XX						1/2"	18	17
AGD800.25.16.XX						5/8"	16	15
AGD800.25.19.XX						3/4"	15	14
AGD900.25.10.XX	440	180	910	190	605	3/8"	26	25
AGD900.25.12.XX						1/2"	24	23
AGD900.25.16.XX						5/8"	22	21
AGD900.25.19.XX						3/4"	20	19
AGD1000.25.10.XX	490	180	1000	240	605	3/8"	30	29
AGD1000.25.12.XX						1/2"	28	27
AGD1000.25.16.XX						5/8"	24	23
AGD1000.25.19.XX						3/4"	20	19
AGD1100.25.10.XX	490	180	1100	240	605	3/8"	35	33
AGD1100.25.12.XX						1/2"	35	33
AGD1100.25.16.XX						5/8"	30	28
AGD1100.25.19.XX						3/4"	25	23
AGD1200.25.10.XX	540	180	1200	240	605	3/8"	40	38
AGD1200.25.12.XX						1/2"	44	40
AGD1200.25.16.XX						5/8"	37	35
AGD1200.25.19.XX						3/4"	30	28
AGD1300.25.12.XX	540	180	1300	240	605	1/2"	47	45
AGD1300.25.16.XX						5/8"	45	43
AGD1300.25.19.XX						3/4"	35	33
AGD1400.25.16.XX	540	180	1400	300	650	5/8"	50	48
AGD1400.25.19.XX						3/4"	40	38

141.0

MAX 80 l/min  
 PRESIÓN 350 bar  
 VEL. MAX. MANGUERA 30 m/min

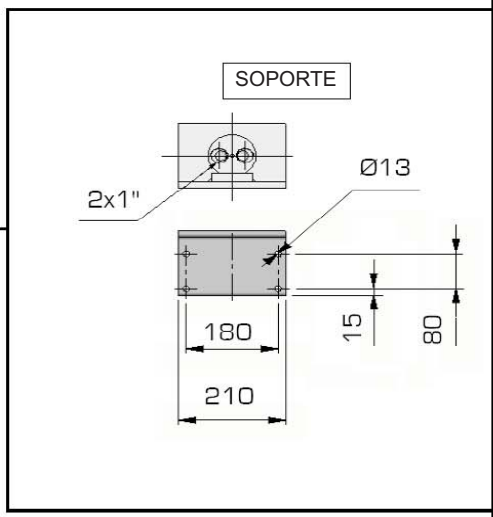
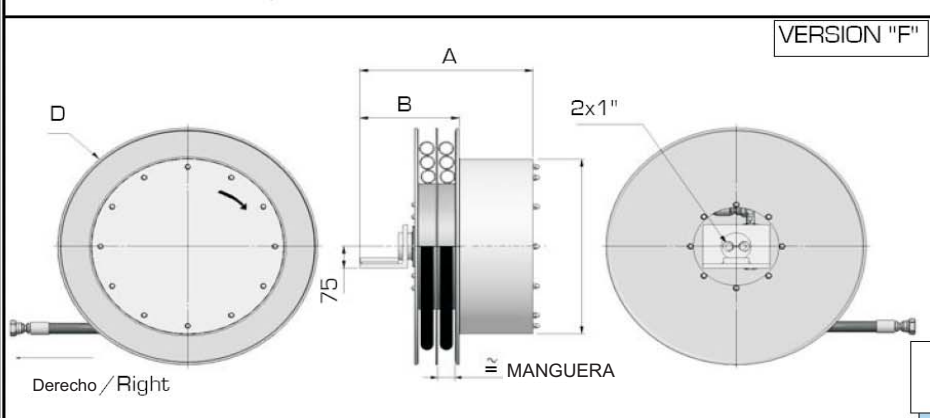
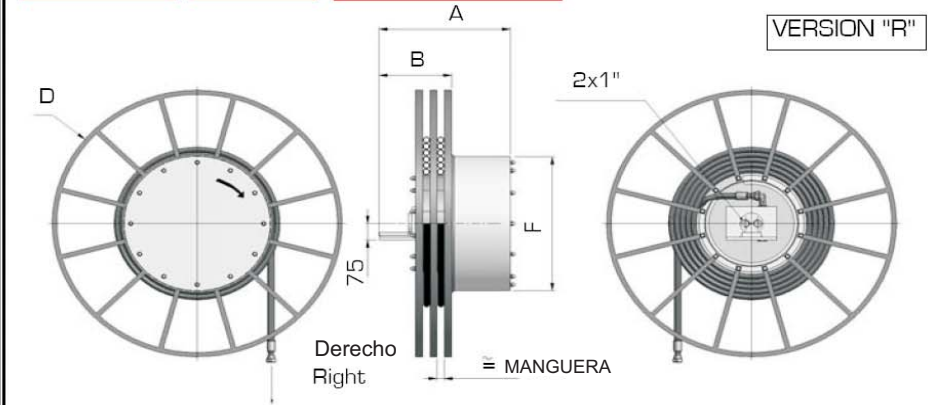
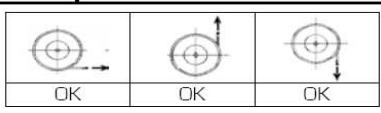


A2D 420 = MODELO DERECHO / RIGHT MODEL  
 A2S 420 = MODELO IZQUIERDO / LEFT MODEL  
 Es. ORD. A2D 470.19.12.1SN

Modelo derecho Right model	A	B	D	E	F	Ø	Con manguera - with hose 1SN / 2SN		Con manguera - with hose 4SP	
							Long. Total	Long. Útil	Long. Total	Long. Útil
							Total length	Usable length	Total length	Usable length
							m	m	m	m
A2D420.19.12.XX						1/2"	2,6	2,1	2,6	2,1
A2D420.19.16.XX	212	108	420	47	322	5/8"	2,6	2,1	2,6	2,1
A2D420.19.19.XX						3/4"	2,6	2,1	1,8	1,3
A2D470.19.12.XX						1/2"	4,5	4,0	4,0	3,5
A2D470.19.16.XX	212	108	478	47	322	5/8"	4,0	3,5	4,0	3,5
A2D470.19.19.XX						3/4"	4,0	3,5	3,0	2,5
A2D520.19.12.XX						1/2"	5,5	5,0	5,5	5,0
A2D520.19.16.XX	212	118	520	57	422	5/8"	5,5	5,0	4,5	4,0
A2D520.19.19.XX						3/4"	4,2	3,7	4,2	3,7
A2D570.19.12.XX						1/2"	7,2	6,7	7,2	6,7
A2D570.19.16.XX	212	118	570	57	422	5/8"	7,2	6,7	6,0	5,5
A2D570.19.19.XX						3/4"	5,9	5,4	5,9	5,4
A2D600.19.12.XX						1/2"	9,5	9,0	9,0	8,5
A2D600.19.16.XX	222	128	620	67	422	5/8"	9,2	8,7	7,5	7,0
A2D600.19.19.XX						3/4"	7,6	7,1	7,3	6,8
A2D650.19.12.XX						1/2"	10,5	10,0	10,5	10,0
A2D650.19.16.XX	222	128	650	67	532	5/8"	10,0	9,5	9,0	8,5
A2D650.19.19.XX						3/4"	7,6	7,1	7,3	6,8
A2D700.19.12.XX						1/2"	15,0	14,5	13,0	12,5
A2D700.19.16.XX	222	128	720	67	532	5/8"	13,4	12,9	11,5	11,0
A2D700.19.19.XX						3/4"	10,0	9,5	10,0	9,5
A2D800.19.12.XX						1/2"	20,0	19,0	17,0	16,0
A2D800.19.16.XX	222	128	820	67	532	5/8"	16,0	15,0	16,0	15,0
A2D800.19.19.XX						3/4"	14,5	13,5	14,0	13,0

141.0

MAX 135 l/min  
 PRESIÓN 350 bar  
 VEL. MAX. MANGUERA 30 m/min



A2D700 = MODELO DERECHO / RIGHT MODEL  
 A2S700 = MODELO IZQUIERDO / LEFT MODEL  
 Es. ORD. A2D800.25.12.2SN

Modelo derecho Right model	Version	A	B	D	F	CON MANGUERA / WITH HOSE				
						Ø	Long. Total m	Long. Útil m	Long. Total m	Long. Útil m
							Total length m	Usable length m	Total length m	Usable length m
						2 SN		4 SP		
A2D600.25.19.XX	F			620	605	3/4"	6,5	5,5	6,5	5,5
A2D600.25.25.XX						1"	5,0	4,0	5,0	4,0
A2D700.25.16.XX	F	405	263	720	605	5/8"	9,5	8,5	9,5	8,5
A2D700.25.19.XX						3/4"	8,0	7,0	8,0	7,0
A2D700.25.25.XX						1"	6,4	5,4	6,4	5,4
A2D800.25.12.XX	F	405	263	810	605	1/2"	16,0	15,0	16,0	15,0
A2D800.25.16.XX						5/8"	14,0	13,0	14,0	13,0
A2D800.25.19.XX						3/4"	12,0	11,0	12,0	11,0
A2D800.25.25.XX						1"	10,0	9,0	8,6	7,6
A2D900.25.12.XX	F	542	300	910	605	1/2"	21,0	20,0	21,0	20,0
A2D900.25.16.XX						5/8"	19,0	18,0	17,0	16,0
A2D900.25.19.XX						3/4"	17,0	16,0	15,0	14,0
A2D900.25.25.XX						1"	13,5	12,5	11,2	10,2
A2D1000.25.12.XX	R	542	300	1000	605	1/2"	30,0	29,0	30,0	29,0
A2D1000.25.16.XX						5/8"	23,0	22,0	23,0	22,0
A2D1000.25.19.XX						3/4"	20,0	19,0	19,0	18,0
A2D1000.25.25.XX						1"	15,0	14,0	15,0	14,0
A2D1200.25.12.XX	R	542	300	1200	605	1/2"	38,0	37,0	38,0	37,0
A2D1200.25.16.XX						5/8"	30,0	29,0	30,0	29,0
A2D1200.25.19.XX						3/4"	30,0	29,0	26,0	25,0
A2D1200.25.25.XX						1"	22,0	21,0	22,0	21,0
A2D1400.25.12.XX	R			1400	650	1/2"	40,0	39,0	40,0	39,0
A2D1400.25.16.XX						5/8"	40,0	39,0	40,0	39,0
A2D1400.25.19.XX						3/4"	39,0	38,0	39,0	38,0
A2D1400.25.25.XX						1"	30,0	29,0	30,0	29,0

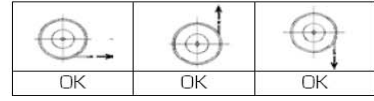


141.0

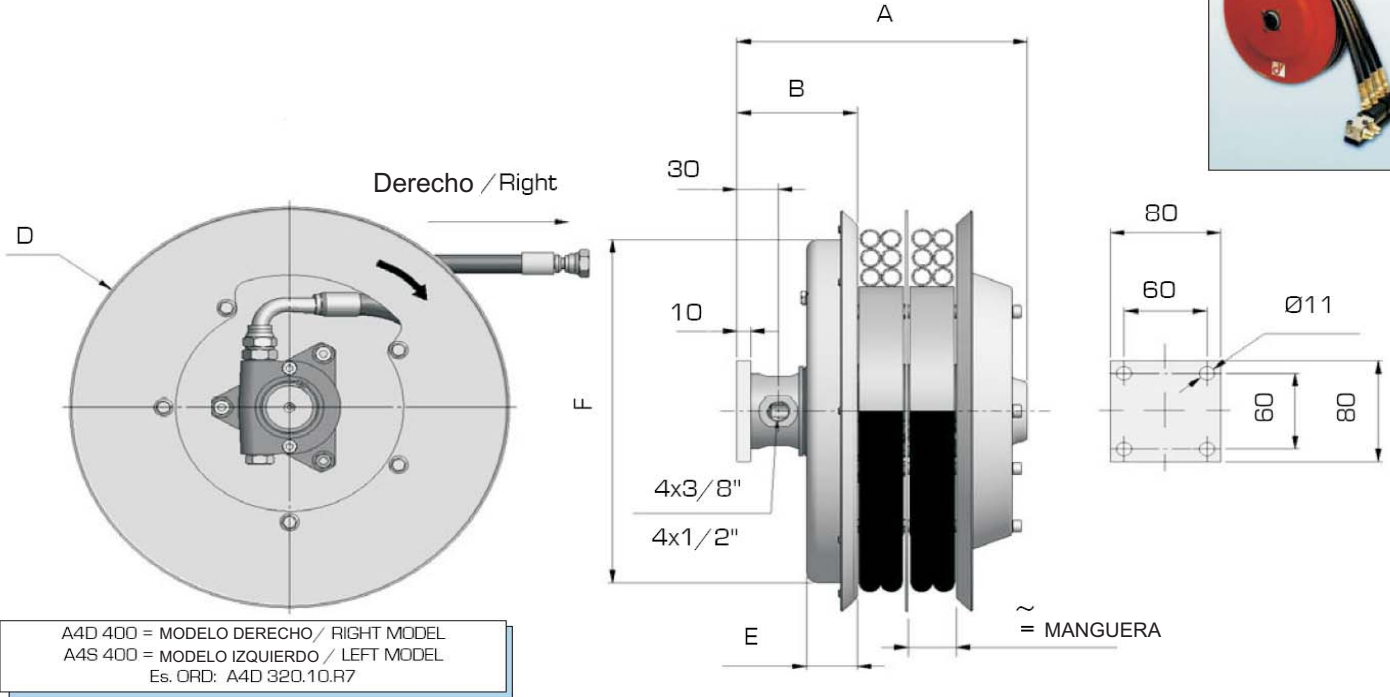
MAX 40 l/min

PRESIÓN 300 bar  
Option 400 bar

VEL. MAX. MANGUERA 30 m/min



DERECHO DESTRO RIGHT

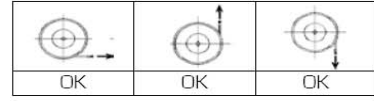


A4D 400 = MODELO DERECHO / RIGHT MODEL  
A4S 400 = MODELO IZQUIERDO / LEFT MODEL  
Es. ORD: A4D 320.10.R7

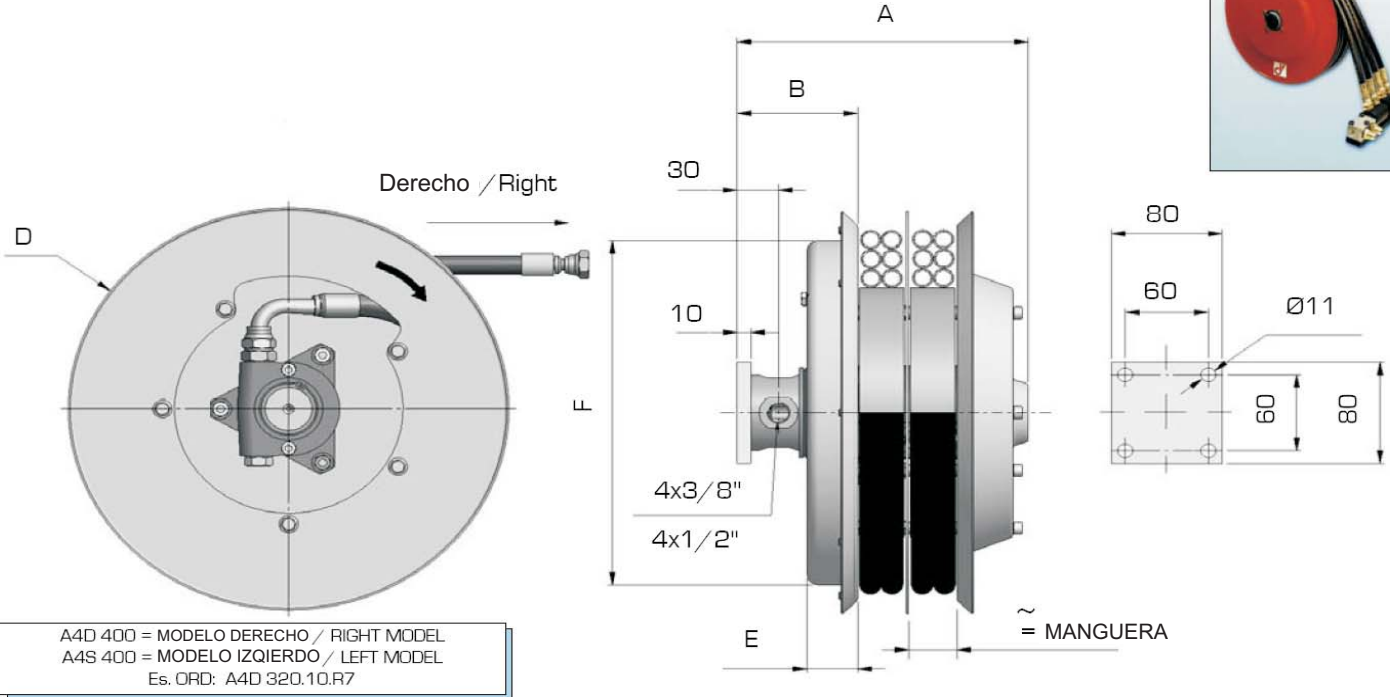
Modelo derecho Right model	A	B	D	E	F	Con manguera - with hose - R7 - R8 - B1 - B2		
						Ø	Long. Total Total length m	Long. Útil Usable length m
A4D230.06.XX			230			1/4"	2.2	1.9
A4D270.06.XX			270			1/4"	4.0	3.7
A4D295.06.XX						1/4"	3.0	2.7
A4D295.08.XX	210	87	295	37	291	5/16"	2.3	2.0
A4D295.10.XX						3/8"	2.3	2.0
A4D295.12.XX	240	127				1/2"	1.5	1.2
A4D320.06.XX						1/4"	4.0	3.7
A4D320.08.XX	210	87	325	37	272	5/16"	3.2	2.9
A4D320.10.XX						3/8"	3.3	3.0
A4D320.12.XX	240	127				1/2"	2.5	2.2
A4D340.06.XX						1/4"	5.0	4.7
A4D340.08.XX	210	87	340	37	272	5/16"	4.2	3.9
A4D340.10.XX						3/8"	4.0	3.7
A4D340.12.XX	240	127				1/2"	2.5	2.2
A4D370.06.XX						1/4"	6.0	5.7
A4D370.08.XX	210	87	370	37	272	5/16"	5.3	5.0
A4D370.10.XX						3/8"	4.5	4.2
A4D370.12.XX	240	127				1/2"	3.5	3.2
A4D400.06.XX						1/4"	7.3	7.0
A4D400.08.XX	210	87	400	47	272	5/16"	6.5	6.2
A4D400.10.XX						3/8"	5.6	5.3
A4D400.12.XX	240	127				1/2"	4.5	4.2

141.0

MAX 40 l/min  
 PRESIÓN 300 bar  
 Option 400 bar  
 VEL. MAX. MANGUERA  
 30 m/min



DERECHO DESTRO RIGHT



Modelo derecho Right model	A	B	D	E	F	Con manguera - with hose - R7 - R8 - B1 - B2		
						Ø	Long. Total	Long. Util
							Total length	Usable length
mm						m	m	
A4D420.06.XX	210	97	420	47	322	1/4"	8,6	8,1
A4D420.08.XX						5/16"	8,0	7,5
A4D420.10.XX						3/8"	6,7	6,2
A4D420.12.XX						1/2"	4,7	4,2
A4D470.06.XX	220	97	478	47	322	1/4"	11,5	11,0
A4D470.08.XX						5/16"	10,0	9,5
A4D470.10.XX						3/8"	9,5	9,0
A4D470.12.XX						1/2"	7,5	7,0
A4D520.06.XX	220	97	520	47	422	1/4"	14,5	14,0
A4D520.08.XX						5/16"	12,5	12,0
A4D520.10.XX						3/8"	11,2	10,7
A4D520.12.XX						1/2"	9,0	8,5
A4D570.06.XX	220	97	570	47	422	1/4"	17,5	17,0
A4D570.08.XX						5/16"	15,5	15,0
A4D570.10.XX						3/8"	13,5	13,0
A4D570.12.XX						1/2"	10,7	10,2
A4D600.06.XX	220	97	620	47	422	1/4"	21,0	20,5
A4D600.08.XX						5/16"	17,0	16,5
A4D600.10.XX						3/8"	16,0	15,5
A4D600.12.XX						1/2"	12,5	12,0
A4D650.06.XX	220	97	650	47	422	1/4"	22,5	22,0
A4D650.08.XX						5/16"	19,5	19,0
A4D650.10.XX						3/8"	17,5	17,0
A4D650.12.XX						1/2"	14,5	14,0
A4D700.06.XX	220	97	720	47	532	1/4"	27,0	26,5
A4D700.08.XX						5/16"	22,0	21,5
A4D700.10.XX						3/8"	20,0	19,5
A4D700.12.XX						1/2"	16,0	15,5
A4D800.08.XX	220	107	820	57	532	5/16"	30,0	29,0
A4D800.10.XX						3/8"	26,0	25,0
A4D800.12.XX						1/2"	21,0	20,0

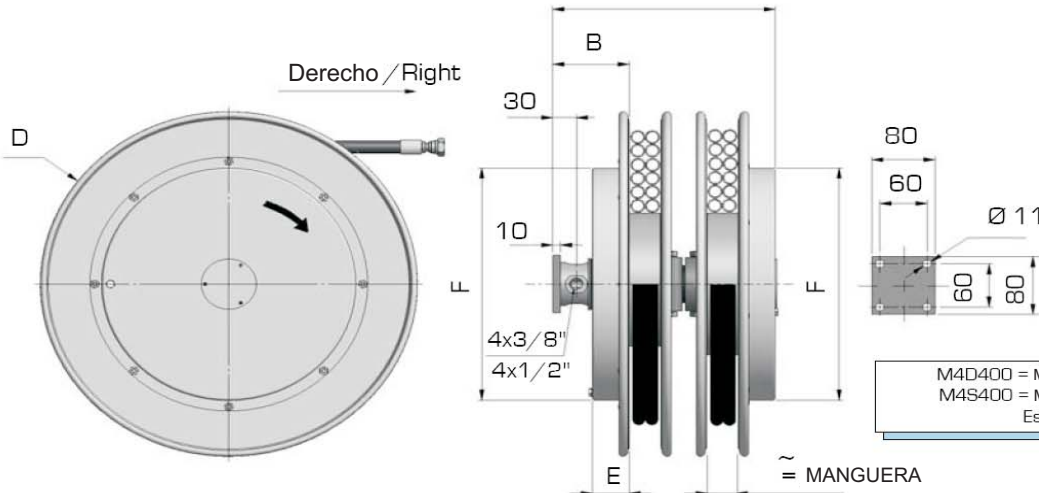


141.0

MAX  
40 l/min

PRESIÓN 300 bar  
Option 400 bar

VEL. MAX. MANGUERA  
30 m/min



M4D400 = MODELO DERECHO / RIGHT MODEL  
M4S400 = MODELO IZQUIERDO / LEFT MODEL  
Es. ORD: M4D 600.10.R7

Modelo derecho Right model	A	B	D	E	F	Con manguera - with hose R7 -R8 -B1 - B2		
						Ø	Long. Total	Long. Total
							Total length m	Usable length m
M4D370.06.XX	282	97	370	47	272	1/4"	6,0	5,7
M4D370.08.XX						5/16"	5,3	5,0
M4D370.10.XX						3/8"	4,5	4,2
M4D370.12.XX						1/2"	3,5	3,2
M4D400.06.XX	282	97	400	47	272	1/4"	7,3	7,0
M4D400.08.XX						5/16"	6,5	6,2
M4D400.10.XX						3/8"	5,6	5,3
M4D400.12.XX						1/2"	4,5	4,2
M4D420.06.XX	282	97	420	47	322	1/4"	8,6	8,1
M4D420.08.XX						5/16"	8,0	7,5
M4D420.10.XX						3/8"	6,7	6,2
M4D420.12.XX						1/2"	4,7	4,2
M4D470.06.XX	282	97	478	47	322	1/4"	11,5	11,0
M4D470.08.XX						5/16"	10,0	9,5
M4D470.10.XX						3/8"	9,5	9,0
M4D470.12.XX						1/2"	7,5	7,0
M4D520.06.XX	282	97	520	47	422	1/4"	14,5	14,0
M4D520.08.XX						5/16"	12,5	12,0
M4D520.10.XX						3/8"	11,2	10,7
M4D520.12.XX						1/2"	9,0	8,5
M4D570.06.XX	282	97	570	47	422	1/4"	17,5	17,0
M4D570.08.XX						5/16"	15,5	15,0
M4D570.10.XX						3/8"	13,5	13,0
M4D570.12.XX						1/2"	10,7	10,2
M4D600.06.XX	282	97	620	47	422	1/4"	21,0	20,5
M4D600.08.XX						5/16"	17,0	16,5
M4D600.10.XX						3/8"	16,0	15,5
M4D600.12.XX						1/2"	12,5	12,0
M4D650.06.XX	282	97	650	47	422	1/4"	22,5	22,0
M4D650.08.XX						5/16"	19,5	19,0
M4D650.10.XX						3/8"	17,5	17,0
M4D650.12.XX						1/2"	14,5	14,0
M4D700.06.XX	282	97	720	47	532	1/4"	27,0	26,5
M4D700.08.XX						5/16"	22,0	21,5
M4D700.10.XX						3/8"	20,0	19,5
M4D700.12.XX						1/2"	16,0	15,5



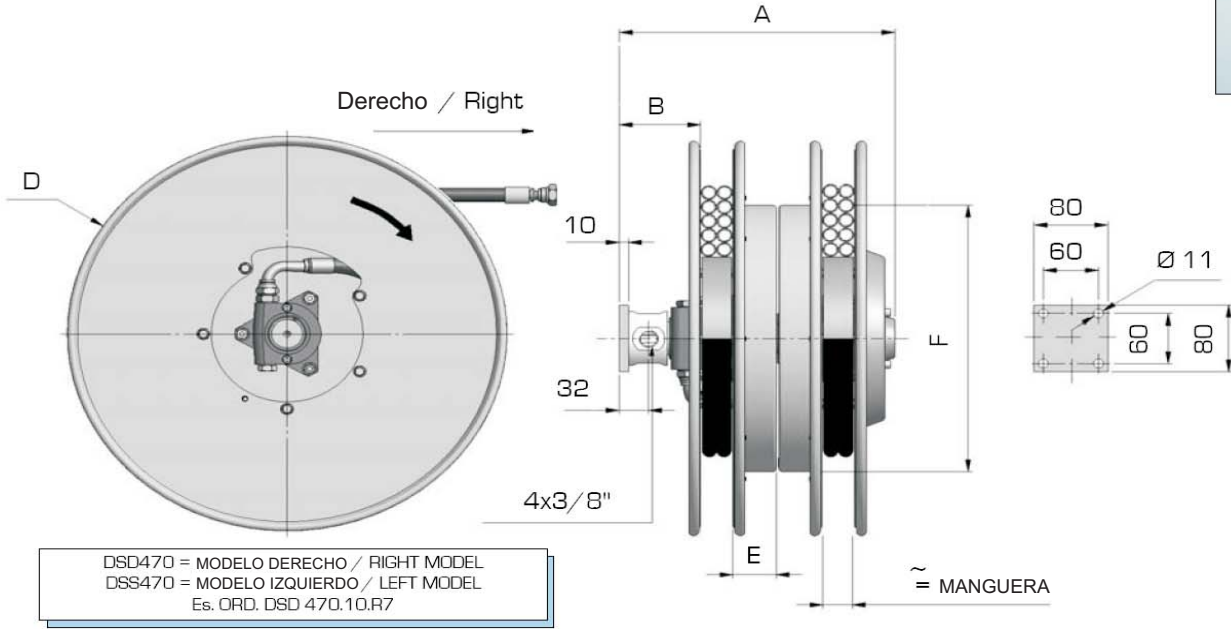
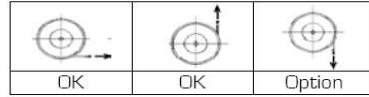


**141.0**

MAX  
40 l/min

PRESIÓN 300 bar  
Option 400 bar

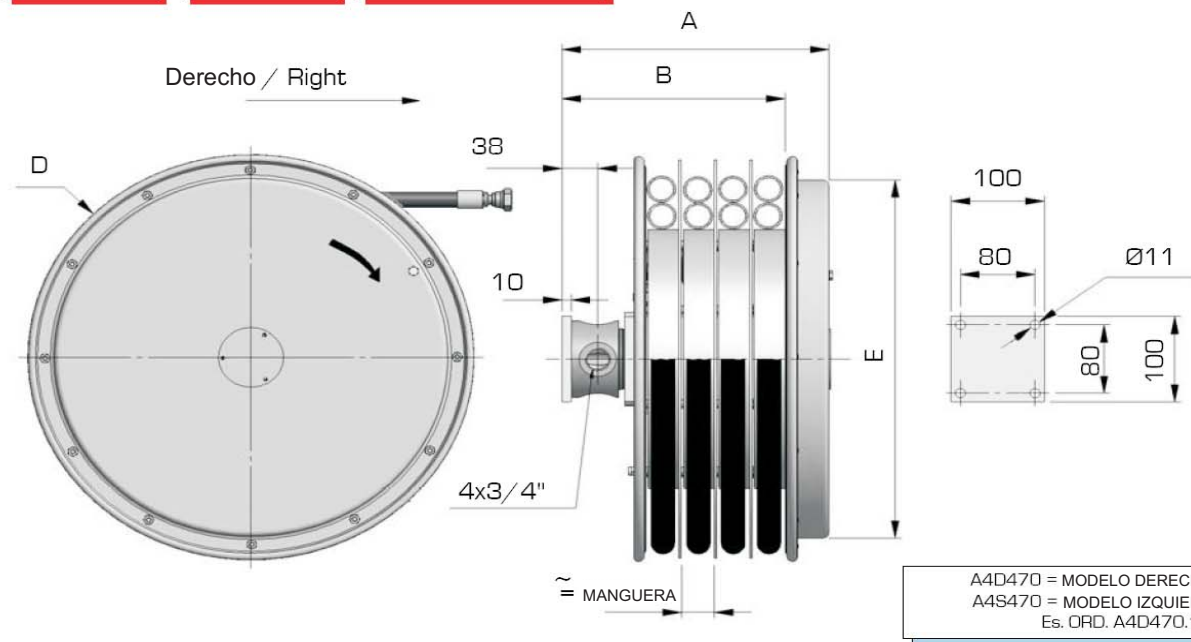
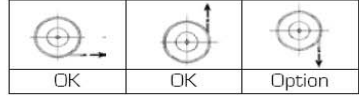
VEL. MAX. MANGUERA  
30 m/min



Modelo derecho Right model	A	B	D	E	F	Con manguera - with hose - R7 - R8 - B1		
						Ø	Long. Total Total length m	Long.útil Usable length m
DSD470.06.XX	300	87	478	47	322	1/4"	11,5	11,0
DSD470.08.XX						5/16"	10,0	9,5
DSD470.10.XX						3/8"	9,5	9,0
DSD470.12.XX						1/2"	7,5	7,0
DSD520.06.XX	300	87	520	47	422	1/4"	14,5	14,0
DSD520.08.XX						5/16"	12,5	12,0
DSD520.10.XX						3/8"	11,2	10,7
DSD520.12.XX						1/2"	9,0	8,5
DSD600.06.XX	300	87	620	47	422	1/4"	21,0	20,5
DSD600.08.XX						5/16"	17,0	16,5
DSD600.10.XX						3/8"	16,0	15,5
DSD600.12.XX						1/2"	12,5	12,5
DSD700.06.XX	300	87	720	47	532	1/4"	27,0	26,5
DSD700.08.XX						5/16"	22,0	21,5
DSD700.10.XX						3/8"	20,0	19,5
DSD700.12.XX						1/2"	16,0	15,5

141.0

MAX 80 l/min  
 PRESIÓN 350 bar  
 VEL. MAX. MANGUERA 30 m/min



A4D470 = MODELO DERECHO / RIGHT MODEL  
 A4S470 = MODELO IZQUIERDO / LEFT MODEL  
 Es. ORD. A4D470.19.12.1SN

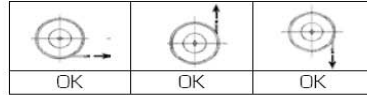
Modelo derecho Right model	A	B	D	E	Ø	Con manguera - with hose 1SN / 2SN		Con manguera - with hose 4SP	
						Long. Total	Long. Útil	Long. Total	Long. Útil
						Total length	Usable length	Total length	Usable length
						m		m	
A4D420.19.12.XX					1/2"	2,6	2,1	2,6	2,1
A4D420.19.16.XX	296	247	420	322	5/8"	2,6	2,1	2,6	2,1
A4D420.19.19.XX					3/4"	2,6	2,1	1,8	1,3
A4D470.19.12.XX					1/2"	4,5	4,0	4,0	3,5
A4D470.19.16.XX	296	247	478	322	5/8"	4,0	3,5	4,0	3,5
A4D470.19.19.XX					3/4"	4,0	3,5	3,0	2,5
A4D520.19.12.XX					1/2"	5,5	5,0	5,5	5,0
A4D520.19.16.XX	296	247	520	422	5/8"	5,5	5,0	4,5	4,0
A4D520.19.19.XX					3/4"	4,2	3,7	4,2	3,7
A4D570.19.12.XX					1/2"	7,2	6,7	7,2	6,7
A4D570.19.16.XX	296	247	570	422	5/8"	7,2	6,7	6,0	5,5
A4D570.19.19.XX					3/4"	5,9	5,4	5,9	5,4
A4D600.19.12.XX					1/2"	9,5	9,0	9,0	8,5
A4D600.19.16.XX	306	247	620	422	5/8"	9,5	8,7	7,5	7,0
A4D600.19.19.XX					3/4"	7,6	7,1	7,3	6,8
A4D700.19.12.XX					1/2"	15,0	14,5	13,0	12,5
A4D700.19.16.XX	306	247	720	422	5/8"	13,4	12,9	11,5	11,0
A4D700.19.19.XX					3/4"	10,0	9,5	10,0	9,5
A4D800.19.12.XX					1/2"	20,0	19,0	17,0	16,0
A4D800.19.16.XX	306	247	820	532	5/8"	16,0	15,0	16,0	15,0
A4D800.19.19.XX					3/4"	14,5	13,5	14,0	13,0

141.0

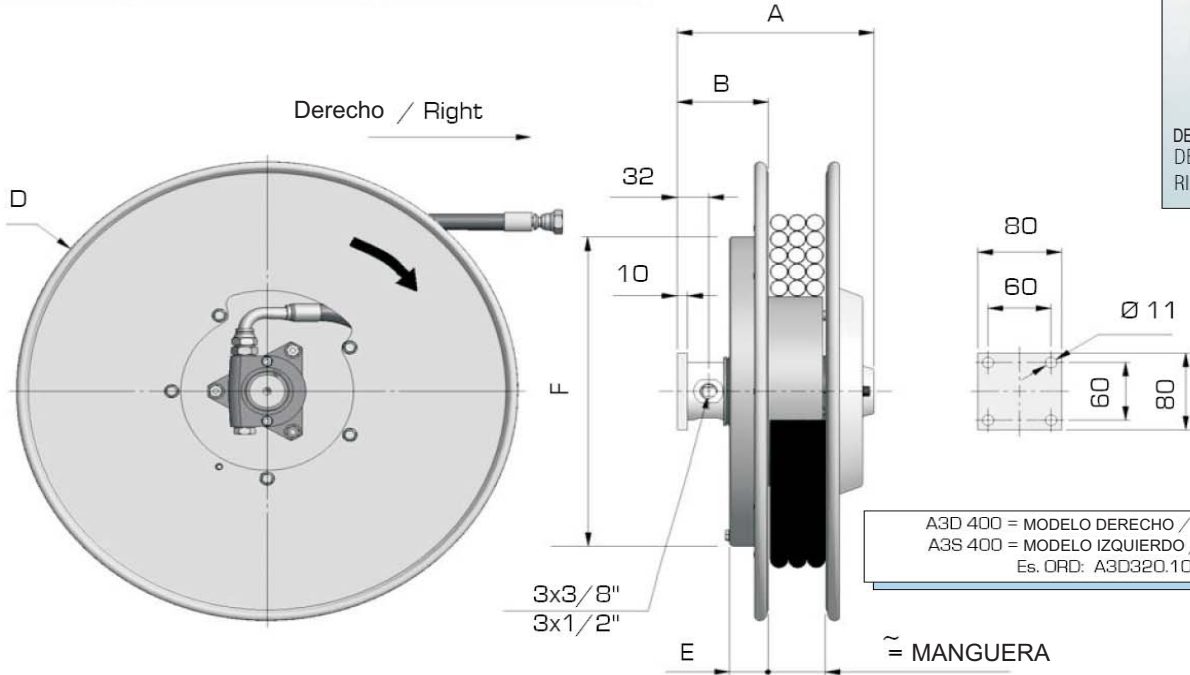
MAX  
40 l/min

PRESIÓN 300 bar  
Option 400 bar

VEL. MAX. MANGUERA  
30 m/min



DERECHO  
DESTRO  
RIGHT



A3D 400 = MODELO DERECHO / RIGHT MODEL  
A3S 400 = MODELO IZQUIERDO / LEFT MODEL  
Es. ORD: A3D320.10.R7

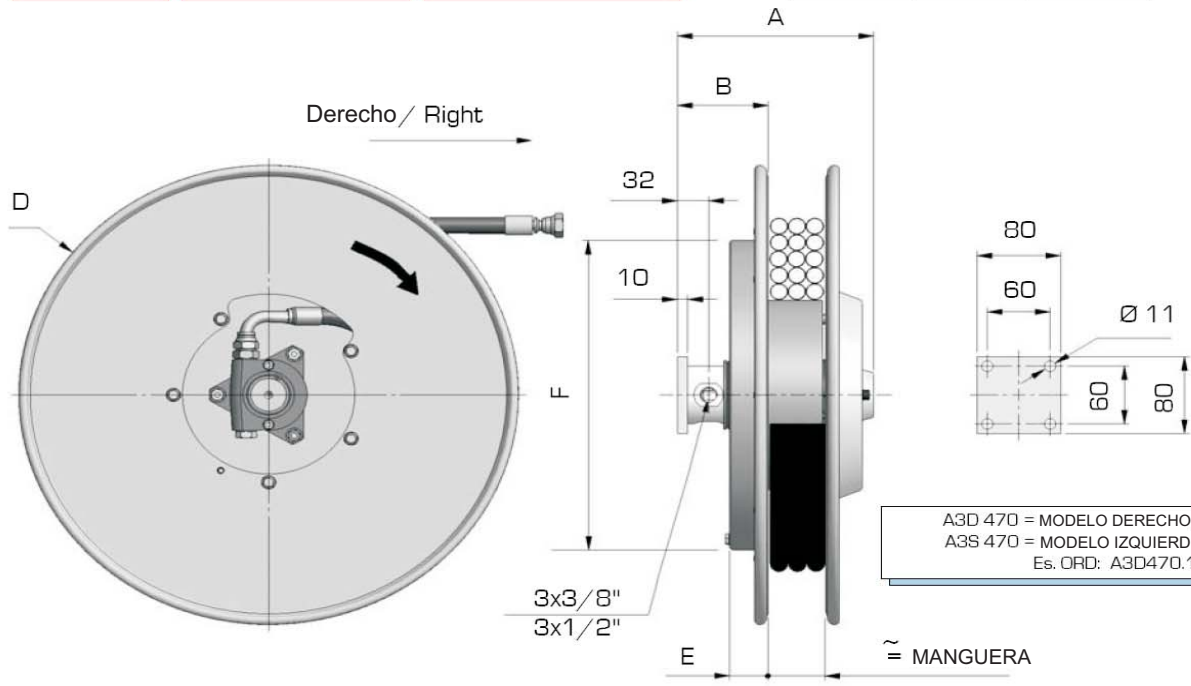
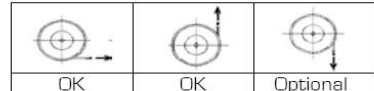
~ MANGUERA

Modelo derecho Right model	A	B	D	E	F	Con manguera - with hose R7 - R8 - B3		
						Ø	Long. Total Total length m	Long. Útil Usable length
A3D295.06.XX	185	87	295	37	272	1/4"	3.0	2.7
A3D295.08.XX						5/16"	2.3	2.0
A3D295.10.XX						3/8"	2.3	2.0
A3D295.12.XX						1/2"	1.5	1.2
A3D320.06.XX	185	87	325	37	272	1/4"	4.0	3.7
A3D320.08.XX						5/16"	3.2	2.9
A3D320.10.XX						3/8"	3.3	3.0
A3D320.12.XX						1/2"	2.5	2.2
A3D340.06.XX	185	87	340	37	272	1/4"	5.0	4.7
A3D340.08.XX						5/16"	4.2	3.9
A3D340.10.XX						3/8"	4.0	3.7
A3D340.12.XX						1/2"	2.5	2.2
A3D370.06.XX	185	87	370	37	272	1/4"	6.0	5.7
A3D370.08.XX						5/16"	5.3	5.0
A3D370.10.XX						3/8"	4.5	4.2
A3D370.12.XX						1/2"	3.5	3.2
A3D400.06.XX	185	87	400	47	272	1/4"	7.3	7.0
A3D400.08.XX						5/16"	6.5	6.2
A3D400.10.XX						3/8"	5.6	5.3
A3D400.12.XX						1/2"	4.5	4.2
A3D420.06.XX	185	87	420	47	322	1/4"	8.6	8.1
A3D420.08.XX						5/16"	8.0	7.5
A3D420.10.XX						3/8"	6.7	6.2
A3D420.12.XX						1/2"	4.7	4.2



141.0

MAX 40 l/min  
 PRESIÓN 300 bar  
 Option 400 bar  
 MAX. VEL. MANGUERA  
 30 m/min



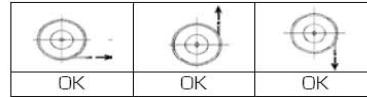
Modelo derecho Right model	A	B	D	E	F	Con manguera - with hose R7 - B1 - B3		
						Ø	Long. Total Total length m	Long. Útil Usable length
A3D470.06.XX	195	97	478	47	322	1/4"	11,5	11,0
A3D470.08.XX						5/16"	10,0	9,5
A3D470.10.XX						3/8"	9,5	9,0
A3D 470.12.XX						1/2"	7,5	7,0
A3D520.06.XX	195	97	520	47	322	1/4"	14,5	14,0
A3D520.08.XX						5/16"	12,5	12,0
A3D520.10.XX						3/8"	11,2	10,7
A3D520.12.XX						1/2"	9,0	8,5
A3D570.06.XX	195	97	570	57	422	1/4"	17,5	17,0
A3D570.08.XX						5/16"	15,5	15,0
A3D570.10.XX						3/8"	13,5	13,0
A3D570.12.XX						1/2"	10,7	10,2
A3D600.06.XX	195	97	620	57	422	1/4"	21,0	20,5
A3D600.08.XX						5/16"	17,0	16,5
A3D600.10.XX						3/8"	16,0	15,5
A3D600.12.XX						1/2"	12,5	12,0
A3D650.06.XX	195	97	650	57	422	1/4"	22,5	22,0
A3D650.08.XX						5/16"	19,5	19,0
A3D650.10.XX						3/8"	17,5	17,0
A3D650.12.XX						1/2"	14,5	14,0
A3D700.06.XX	195	97	720	57	422	1/4"	27,0	26,5
A3D700.08.XX						5/16"	22,0	21,5
A3D700.10.XX						3/8"	20,0	19,5
A3D700.12.XX						1/2"	16,0	15,5
A3D800.08.XX	195	97	820	57	532	5/16"	30,0	29,0
A3D800.10.XX						3/8"	26,0	25,0
A3D800.12.XX						1/2"	21,0	20,0
A3D900.08.XX	195	97	920	57	532	5/16"	38,0	37,0
A3D900.10.XX						3/8"	34,0	33,0
A3D900.12.XX						1/2"	28,0	27,0

141.0

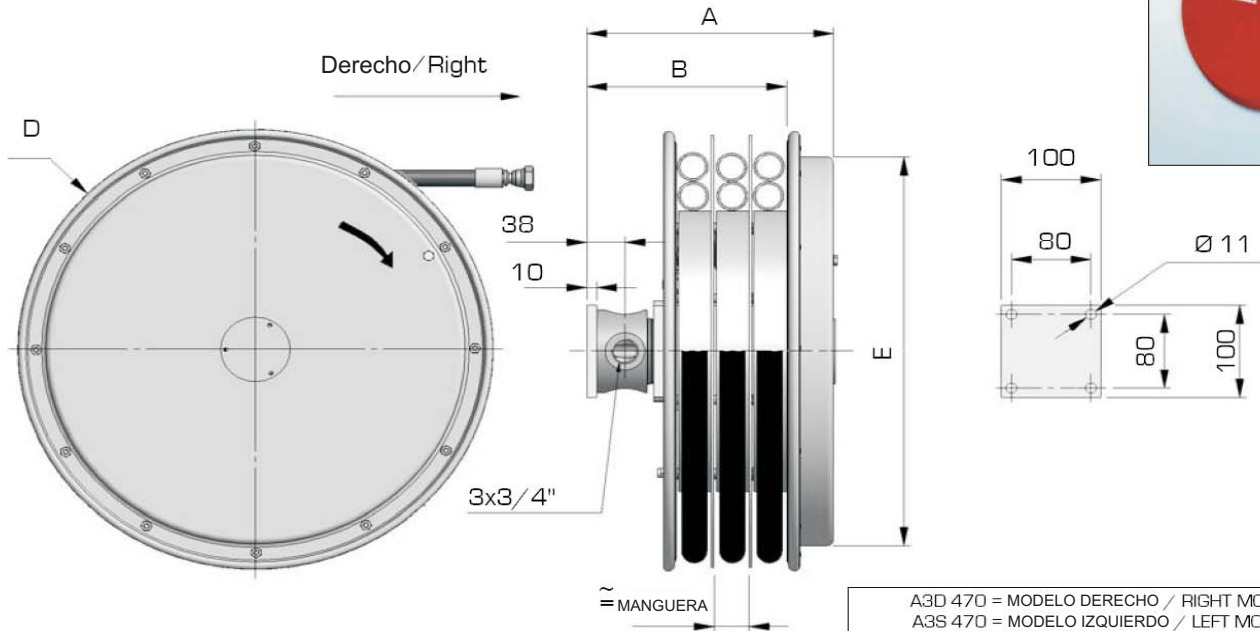
MAX  
80 l/min

PRESIÓN 300 bar  
Option 400 bar

VEL. MAX. MANGUERA  
30 m/min



d'Omec



A3D 470 = MODELO DERECHO / RIGHT MODEL  
A3S 470 = MODELO IZQUIERDO / LEFT MODEL  
Es. ORD: A3D470.19.12.1SN

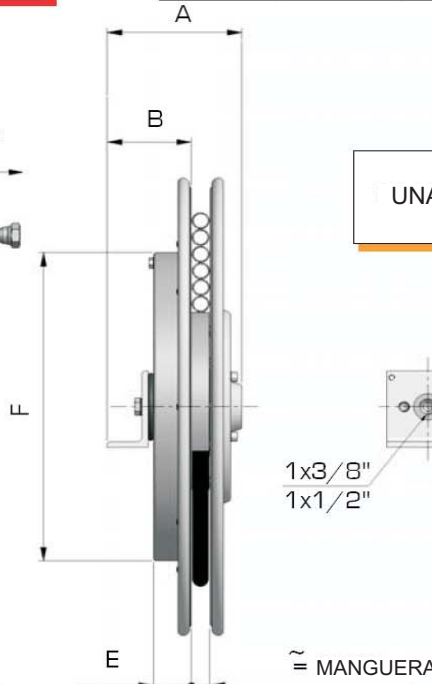
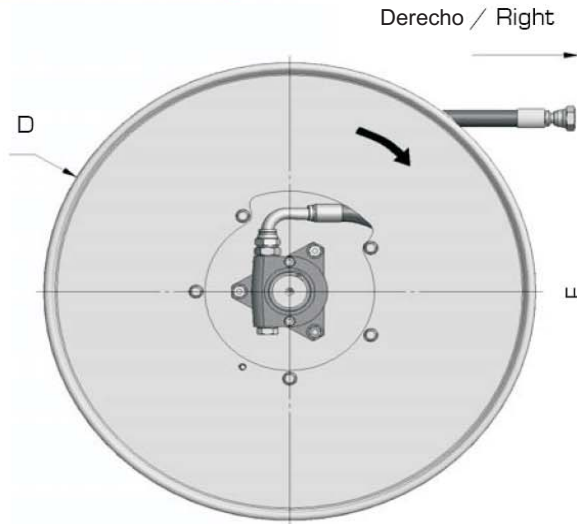
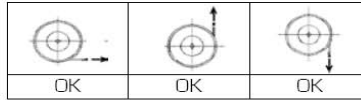
Modelo derecho Right model	A	B	D	E	Ø	Con manguera - with hose 1SN - 2SN		Con manguera - with hose 4SP	
						Long. Total	Long. Útil	Long. Total	Long. Útil
						Total length	Usable length	Total length	Usable length
						m	m	m	m
A3D420.19.12.XX	246	209	420	322	1/2"	2,6	2,1	2,6	2,1
5/8"					2,6	2,1	2,6	2,1	
3/4"					2,6	2,1	1,8	1,3	
A3D470.19.12.XX	246	209	478	422	1/2"	4,5	4,0	4,0	3,5
5/8"					4,0	3,5	4,0	3,5	
3/4"					4,0	3,5	3,0	2,5	
A3D520.19.12.XX	246	209	520	422	1/2"	5,5	5,0	5,5	5,0
5/8"					5,5	5,0	4,5	4,0	
3/4"					4,2	3,7	4,2	3,7	
A3D570.19.12.XX	256	209	570	422	1/2"	7,2	6,7	7,2	6,7
5/8"					7,2	6,7	6,0	5,5	
3/4"					5,9	5,4	5,9	5,4	
A3D600.19.12.XX	256	209	620	422	1/2"	10,0	9,5	9,0	8,5
5/8"					9,5	8,7	7,5	7,0	
3/4"					7,6	7,1	7,3	6,8	
A3D700.19.12.XX	256	209	720	422	1/2"	15,0	14,5	13,0	12,5
5/8"					13,4	12,9	11,5	11,0	
3/4"					10,0	9,5	10,0	9,5	
A3D800.19.12.XX	256	209	820	532	1/2"	20,0	19,0	17,0	16,0
5/8"					16,0	15,0	16,0	15,0	
3/4"					14,5	13,5	14,0	13,0	

141.0

.08	30 l/min
.10	30 l/min
.12	40 l/min
.16	60 l/min
.19	80 l/min
.26	135 l/min

**PRESIÓN**  
350 bar

**VEL. MAX. MANGUERA**  
30 m/min



1x3/8"  
1x1/2"

≈ MANGUERA

S1D 400 = MODELO DERECHO / RIGHT MODEL  
S1S 400 = MODELO IZQUIERDO / LEFT MODEL  
Es. ORD: S1D 400.10.2SN

Modelo derecho Right model	A	B	D	E	F	Manguera / Hose SB1 - 1SN - 2SN - 4SP		
						Ø	Long. Total	Long. Útil
							Total length	Usable length
mm						m	m	
S1D295.08.XX	150	82	295	37	272	5/16"	2,1	1,8
S1D295.10.XX						3/8"	1,5	1,2
S1D320.08.XX	150	82	325	37	272	5/16"	3,0	2,7
S1D320.10.XX						3/8"	2,5	2,2
S1D340.08.XX	150	82	340	37	272	5/16"	3,6	3,3
S1D340.10.XX						3/8"	2,7	2,4
S1D340.12.XX						1/2"	2,7	2,4
S1D370.08.XX	150	82	370	37	322	5/16"	4,3	4,0
S1D370.10.XX						3/8"	3,5	3,2
S1D370.12.XX						1/2"	3,0	2,7
S1D400.08.XX	150	92	400	47	322	5/16"	4,5	4,2
S1D400.10.XX						3/8"	5,0	4,7
S1D400.12.XX						1/2"	3,0	2,7
S1D420.08.XX	160	92	420	47	322	5/16"	6,0	5,7
S1D420.10.XX						3/8"	5,0	4,7
S1D420.12.XX						1/2"	5,0	4,7
S1D420.16.XX						5/8"	2,6	2,3
S1D470.08.XX	160	92	478	47	322	5/16"	8,5	8,2
S1D470.10.XX						3/8"	7,6	7,3
S1D470.12.XX						1/2"	6,5	6,2
S1D470.16.XX						5/8"	4,1	3,8
S1D470.19.XX						3/4"	2,7	2,4

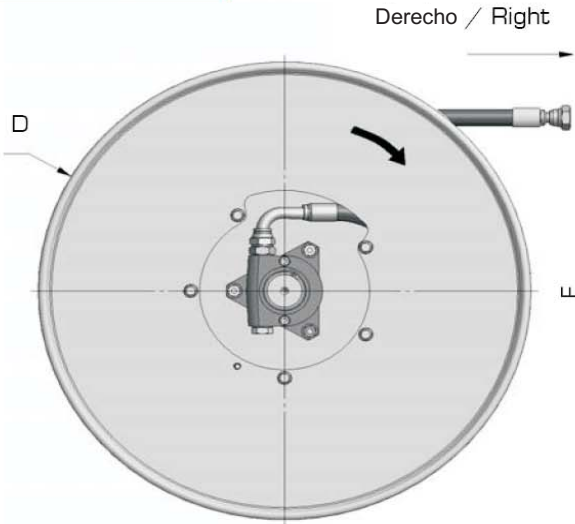
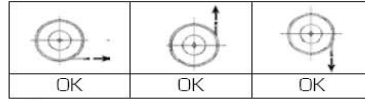


141.0

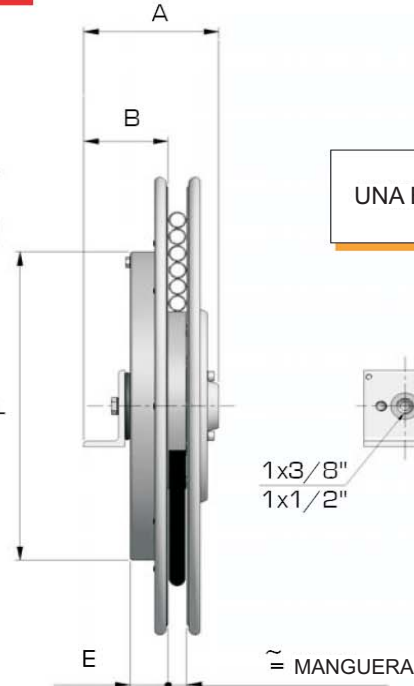
.08	30 l/min
.10	30 l/min
.12	40 l/min
.16	60 l/min
.19	80 l/min
.26	135 l/min

**PRESIÓN**  
350 bar

**VEL. MAX. MANGUERA**  
30 m/min



Derecho / Right



UNA ESPIRAL

1x3/8"  
1x1/2"

≈ MANGUERA

S1D 520 = MODELO DERECHO / RIGHT MODEL  
S1S 520 = MODELO IZQUIERDO / LEFT MODEL  
Es. ORD: S1D 520.10.2SN

Modelo derecho Right model	A	B	D	E	F	Manguera / Hose SB1 - 1SN - 2SN - 4SP			
						Ø	Long. Total Total length m	Long. Útil Usable length m	
S1D520.08.XX			520			5/16"	10,0	9,7	
S1D520.10.XX							3/8"	9,3	9,0
S1D520.12.XX							1/2"	8,2	7,9
S1D520.16.XX							5/8"	5,0	4,7
S1D520.19.XX							3/4"	4,2	3,9
S1D520.26.XX							1"	2,8	2,5
S1D570.10.XX			570			3/8"	11,0	10,7	
S1D570.12.XX							1/2"	10,0	9,7
S1D570.16.XX							5/8"	5,7	5,4
S1D570.19.XX							3/4"	5,8	5,5
S1D570.26.XX							1"	4,4	4,1
S1D600.10.XX			620			3/8"	12,5	12,2	
S1D600.12.XX							1/2"	11,5	11,2
S1D600.16.XX							5/8"	7,5	7,2
S1D600.19.XX							3/4"	7,0	6,7
S1D600.26.XX						1"	6,0	5,7	
S1D650.10.XX			650			3/8"	14,8	14,5	
S1D650.12.XX							1/2"	13,8	13,5
S1D650.16.XX							5/8"	9,4	9,1
S1D650.19.XX							3/4"	7,8	7,5
S1D650.26.XX							1"	6,3	6,0
S1D700.10.XX			720			3/8"	18,5	18,2	
S1D700.12.XX							1/2"	14,5	14,2
S1D700.16.XX							5/8"	11,5	11,2
S1D700.19.XX							3/4"	9,8	9,5
S1D700.26.XX							1"	8,4	8,1

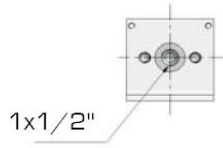
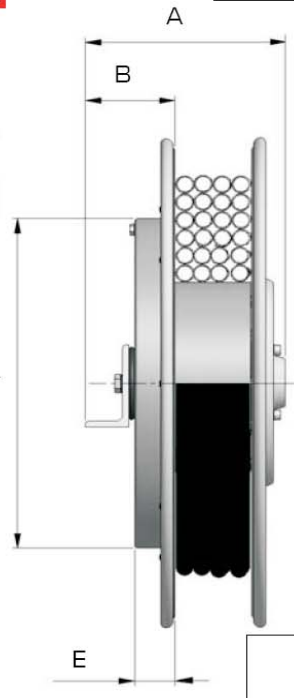
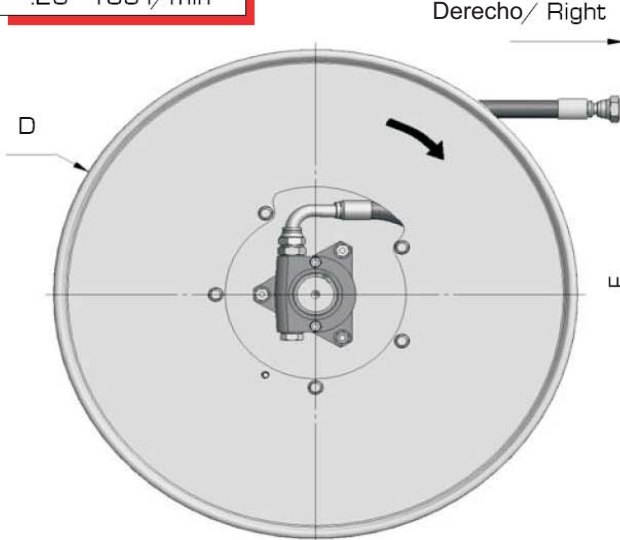


141.0

.08	30 l/min
.10	30 l/min
.12	40 l/min
.16	60 l/min
.19	80 l/min
.26	135 l/min

**PRESIÓN**  
350 bar

**VEL. MAX. MANGUERA**  
30 m/min



M1D 470 = MODELO DERECHO / RIGHT MODEL  
M1S 470 = MODELO IZQUIERDO / LEFT MODEL  
Es. ORD: M1D 470.10.2SN

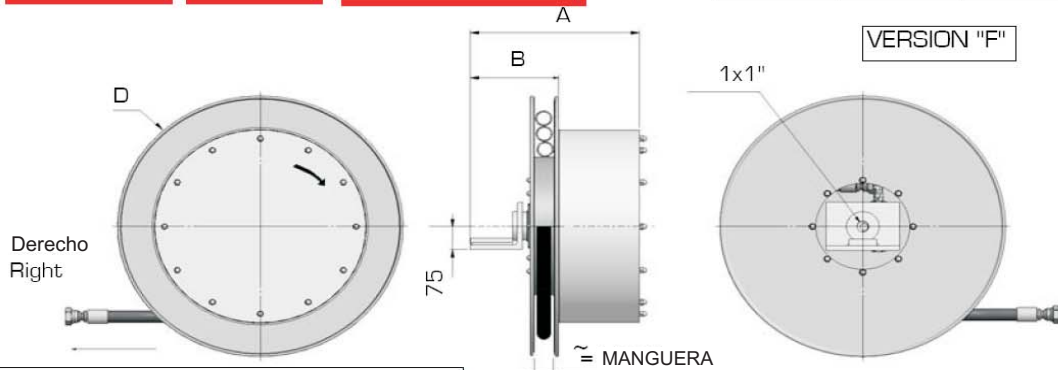
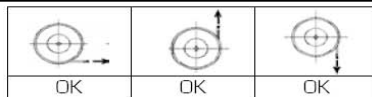
Modelo derecho	A	B	D	E	F	Con manguera - with hose				
						Longitud total - Total length ( Útil - Usable = - 0,5m)				
Right model	mm					Ø	XX = 1SN	XX = 2SN	XX = SB1	XX = R16
						m	m	m	m	m
M1D295.06.XX			295			1/4"	4,7	3,5	5,5	4,7
M1D320.06.XX						1/4"	5,0	4,7	6,0	4,7
M1D320.08.XX			325			5/16"	4,5	4,0	5,0	4,5
M1D320.10.XX						3/8"	4,5	4,0	4,5	4,5
M1D340.06.XX						1/4"	5,5	5,0	6,0	5,5
M1D340.08.XX			340			5/16"	4,7	4,7	5,5	4,7
M1D340.10.XX						3/8"	4,7	4,5	5,0	4,7
M1D370.06.XX						1/4"	7,0	6,0	10,0	7,0
M1D370.08.XX			370			5/16"	7,0	5,5	9,0	7,0
M1D370.10.XX						3/8"	6,0	5,0	9,0	6,0
M1D470.06.XX						1/4"	15,5	14,5	16,0	15,5
M1D470.08.XX			478			5/16"	14,5	13,5	15,5	14,5
M1D470.10.XX						3/8"	13,5	12,5	15,0	13,5
M1D520.06.XX						1/4"	17,5	16,0	22,5	17,5
M1D520.08.XX			520			5/16"	16,5	15,0	21,5	16,5
M1D520.10.XX						3/8"	15,5	14,0	21,5	15,5
M1D520.12.XX						1/2"	13,5	11,5	16,0	13,5
M1D570.08.XX						5/16"	17,5	16,5	18,5	17,5
M1D570.10.XX			570			3/8"	16,5	16,5	17,5	16,5
M1D570.12.XX						1/2"	15,5	14,5	16,5	-
M1D600.10.XX			620			3/8"	20,5	-	26,0	20,5
M1D600.12.XX						1/2"	20,5	-	26,0	20,5
M1D700.12.XX			720			1/2"	26,5	23,5	30,5	26,5

141.0

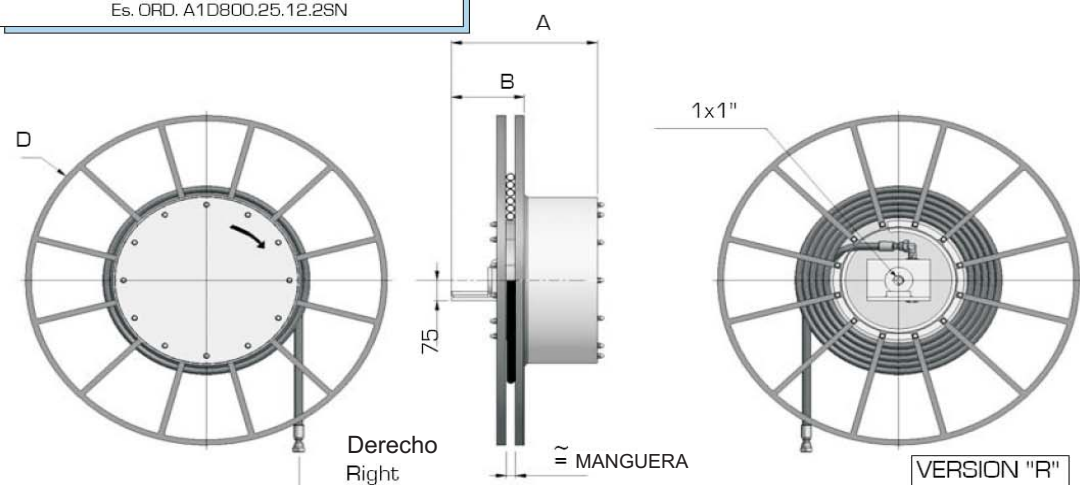
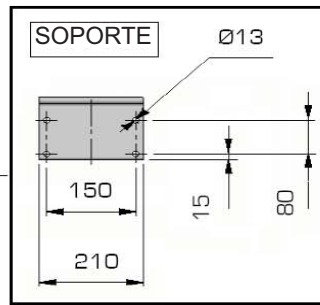
MAX  
135 l/min

PRESIÓN  
350 bar

VEL. MAX. MANGUERA  
30 m/min



A1D800 = MODELO DERECHO / RIGHT MODEL  
A1S800 = MODELO IZQUIERDO / LEFT MODEL  
Es. ORD. A1D800.25.12.2SN



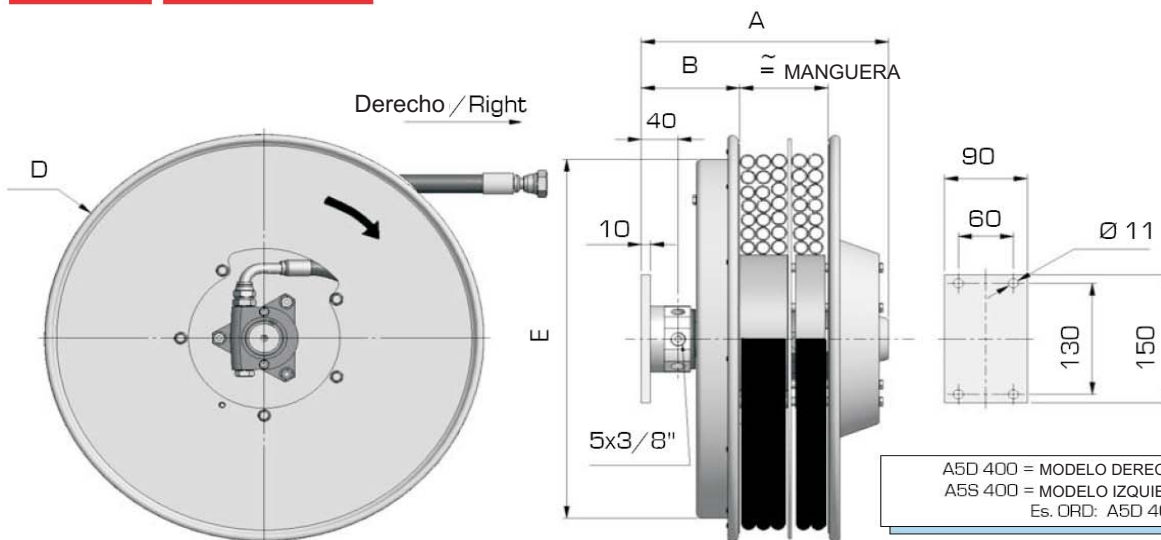
Modelo derecho Right model	Version	A	B	D	Ø	CON MANGUERA / WITH HOSE			
						Long. Total m Total length m	Long. Útil m Usable length m	Long. Total m Total length m	Long. Útil m Usable length m
A1D800.25.16.XX	F	-	242	810	5/8"	14,0	13,0	14,0	13,0
A1D800.25.19.XX					3/4"	12,0	11,0	12,0	11,0
A1D800.25.25.XX					1"	10,0	9,0	10,0	9,0
A1D900.25.12.XX	F	-	242	910	1/2"	21,0	20,0	21,0	20,0
A1D900.25.16.XX					5/8"	19,0	18,0	19,0	18,0
A1D900.25.19.XX					3/4"	17,5	16,5	15,0	14,0
A1D900.25.25.XX	1"	13,5	12,5	11,2	10,2				
A1D1000.25.12.XX	R	-	242	1000	1/2"	30,0	29,0	30,0	29,0
A1D1000.25.16.XX					5/8"	28,0	27,0	28,0	27,0
A1D1000.25.19.XX					3/4"	23,0	22,0	21,0	20,0
A1D1000.25.25.XX	1"	19,0	18,0	16,5	15,5				
A1D1200.25.12.XX	R	-	300	1200	1/2"	38,0	37,0	38,0	37,0
A1D1200.25.16.XX					5/8"	30,0	29,0	30,0	29,0
A1D1200.25.19.XX					3/4"	30,0	29,0	30,0	29,0
A1D1200.25.25.XX	1"	26,0	25,0	23,0	22,0				
A1D1400.25.12.XX	R	-	300	1400	1/2"	45,0	44,0	45,0	44,0
A1D1400.25.16.XX					5/8"	40,0	39,0	35,0	34,0
A1D1400.25.19.XX					3/4"	35,0	34,0	35,0	34,0
A1D1400.25.25.XX	1"	30,0	29,0	30,0	29,0				
A1D1600.25.12.XX	R	-	300	1600	1/2"	50,0	49,0	50,0	49,0
A1D1600.25.16.XX					5/8"	50,0	49,0	50,0	49,0
A1D1600.25.19.XX					3/4"	45,0	44,0	45,0	44,0
A1D1600.25.25.XX	1"	40,0	39,0	40,0	39,0				



141.0

MAX  
40 l/min

PRESIÓN 300 bar  
Option 400 bar

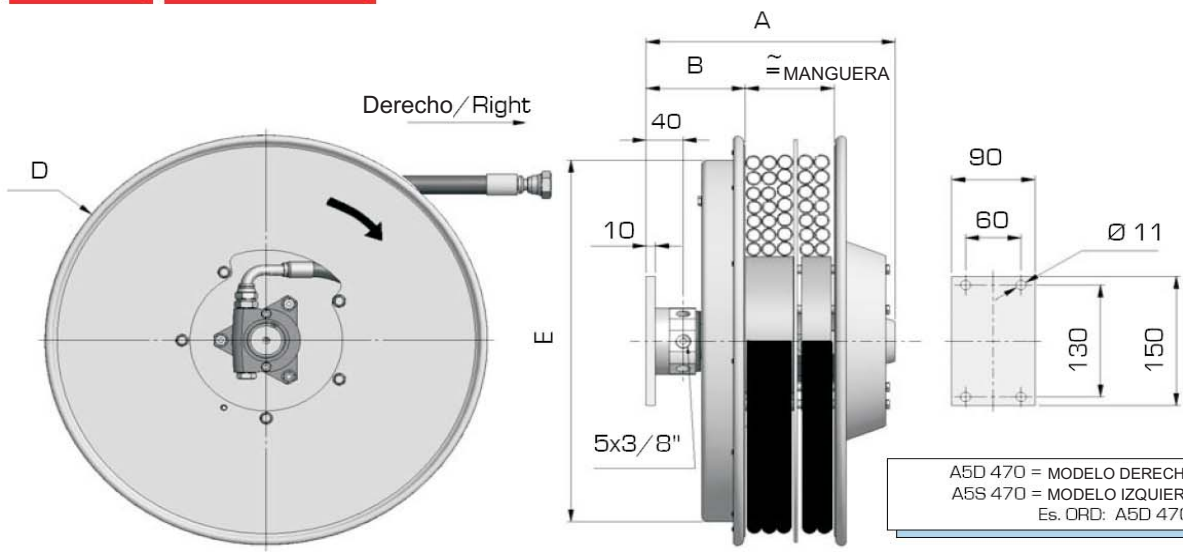
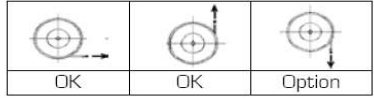


Modelo derecho Right model	A	B	D	E	Con manguera - with hose R7 - B1 - B3		
					Ø	Long. Total Total length	Long. Útil Usable length
	mm				m		
A5D295.06.XX	277	107	295	272	1/4"	3.0	2.7
A5D295.08.XX					5/16"	2.3	2.0
A5D295.10.XX					3/8"	2.3	2.0
A5D320.06.XX	277	107	325	272	1/4"	4.0	3.7
A5D320.08.XX					5/16"	3.2	2.9
A5D320.10.XX					3/8"	3.3	3.0
A5D340.06.XX	277	107	340	272	1/4"	5.0	4.7
A5D340.08.XX					5/16"	4.2	3.9
A5D340.10.XX					3/8"	4.0	3.7
A5D370.06.XX	277	107	370	322	1/4"	6.0	5.7
A5D370.08.XX					5/16"	5.3	5.0
A5D370.10.XX					3/8"	4.5	4.2
A5D400.06.XX	277	107	400	322	1/4"	7.3	7.0
A5D400.08.XX					5/16"	6.5	6.2
A5D400.10.XX					3/8"	5.6	5.3
A5D420.06.XX	277	107	420	322	1/4"	8.6	8.1
A5D420.08.XX					5/16"	8.0	7.5
A5D420.10.XX					3/8"	6.7	6.2

141.0

MAX 40 l/min

PRESIÓN 300 bar  
Option 400 bar



A5D 470 = MODELO DERECHO / RIGHT MODEL  
A5S 470 = MODELO IZQUIERDO / LEFT MODEL  
Es. ORD: A5D 470.10.B1

Modelo derecho Right model	A	B	D	E	Con manguera - with hose R7 - B1 - B3		
					Ø	Long. Total	Long. Útil
						Total length	Usable length
					m		
A5D470.06.XX	277	107	478	422	1/4"	11,5	11,0
A5D470.08.XX					5/16"	10,0	9,5
A5D470.10.XX					3/8"	9,5	9,0
A5D520.06.XX	277	107	520	422	1/4"	14,5	14,0
A5D 520.08.XX					5/16"	12,5	12,0
A5D520.10.XX					3/8"	11,2	10,7
A5D570.06.XX	277	107	570	422	1/4"	17,5	17,0
A5D570.08.XX					5/16"	15,5	15,0
A5D570.10.XX					3/8"	13,5	13,0
A5D600.06.XX	277	107	620	532	1/4"	21,0	20,5
A5D600.08.XX					5/16"	17,0	16,5
A5D600.10.XX					3/8"	16,0	15,5
A5D650.06.XX	277	107	650	532	1/4"	22,5	22,0
A5D650.08.XX					5/16"	19,5	19,0
A5D650.10.XX					3/8"	17,5	17,0
A5D700.06.XX	277	107	720	532	1/4"	27,0	26,5
A5D700.08.XX					5/16"	22,0	21,5
A5D700.10.XX					3/8"	20,0	19,5

141.0

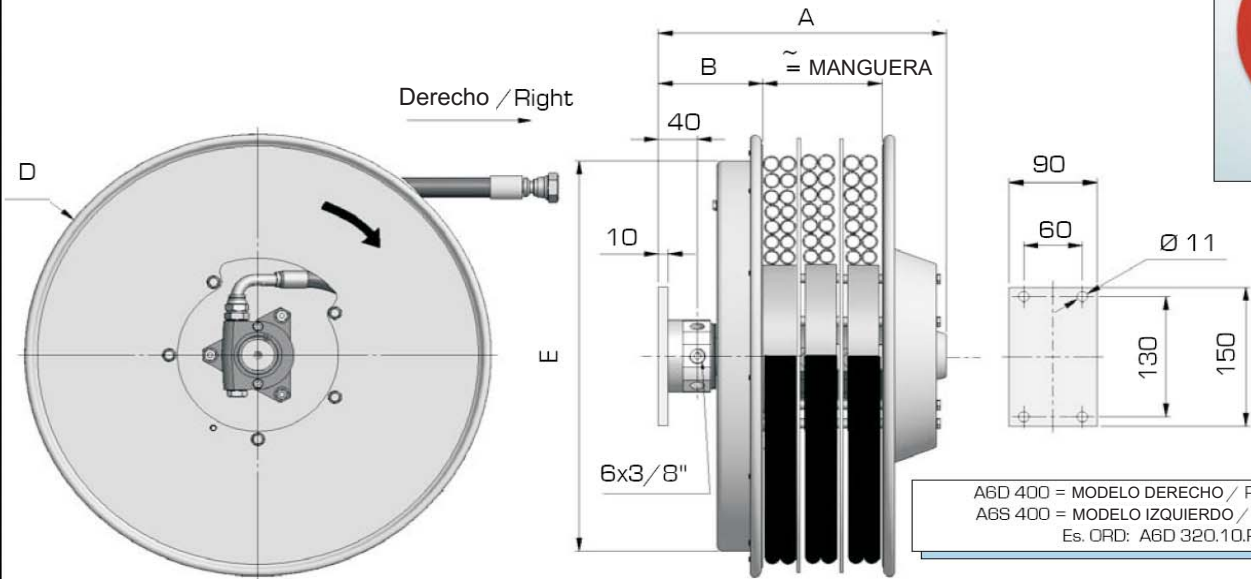
MAX  
40 l/min

PRESIÓN 300 bar  
Option 400 bar

VEL. MAX. MANGUERA  
30 m/min



DERECHO DESTRO RIGHT



Modelo derecho Right model	A	B	D	E	Con manguera - with hose R7 - R8 - B1 - B2		
					Ø	Long. Total Total length	Long. Total Usable length
	mm				m		
A6D295.06.XX	277	92	295	272	1/4"	4.0	3.7
A6D295.08.XX					5/16"	3.2	2.9
A6D295.10.XX					3/8"	3.0	2.7
A6D320.06.XX	277	92	325	272	1/4"	5.0	4.7
A6D320.08.XX					5/16"	4.0	3.7
A6D320.10.XX					3/8"	3.5	3.2
A6D340.06.XX	277	92	340	272	1/4"	6.0	5.7
A6D340.08.XX					5/16"	5.0	4.7
A6D340.10.XX					3/8"	4.5	4.2
A6D370.06.XX	277	92	370	322	1/4"	7.0	6.7
A6D370.08.XX					5/16"	6.0	5.7
A6D370.10.XX					3/8"	5.5	5.2
A6D400.06.XX	277	92	400	322	1/4"	7.5	7.2
A6D400.08.XX					5/16"	7.0	6.7
A6D400.10.XX					3/8"	6.5	6.2
A6D420.06.XX	277	92	420	322	1/4"	8.5	8.2
A6D420.08.XX					5/16"	8.0	7.7
A6D420.10.XX					3/8"	7.5	7.2

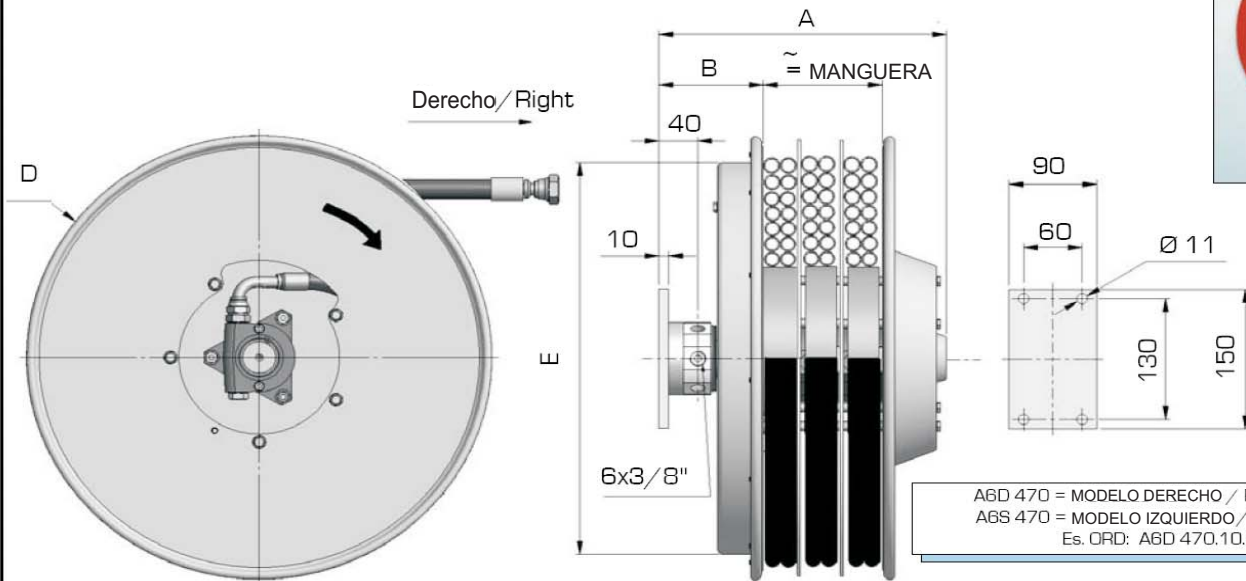
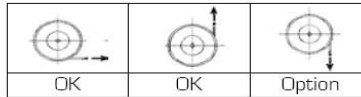


141.0

MAX  
40 l/min

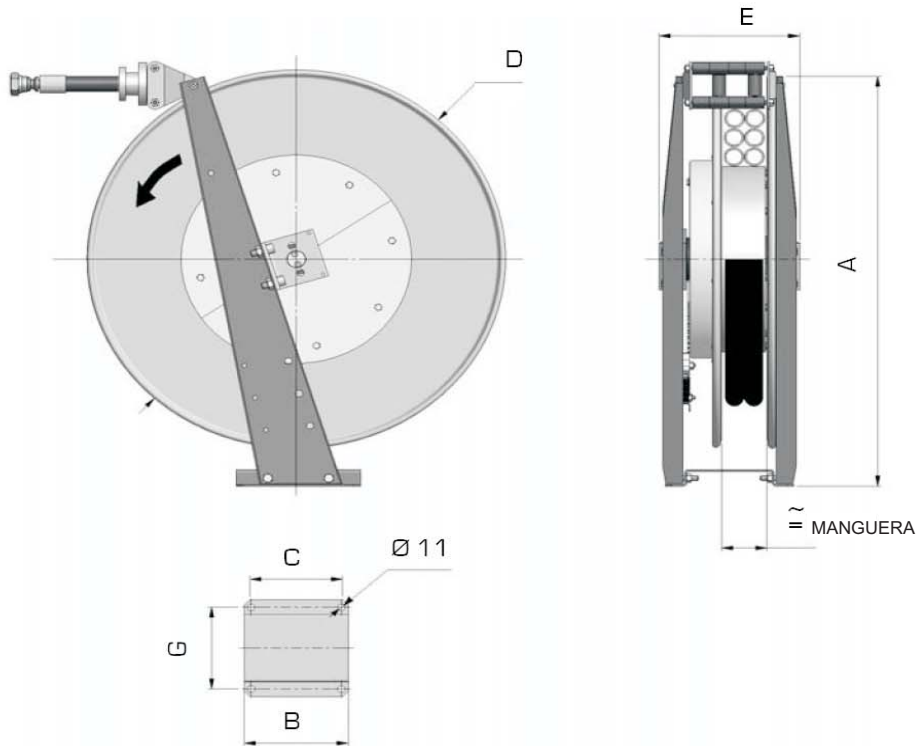
PRESIÓN 300 bar  
Option 400 bar

VELOCIDAD MÁXIMA  
30 m/min



Modelo derecho Right model	A	B	D	E	Con manguera - with hose R7 - R8 - B1 - B2		
					Ø	Long. Total	Long. Útil
						Total length	Usable length
	mm				m		
A6D470.06.XX	277	92	478	422	1/4"	11,5	11,2
A6D470.08.XX					5/16"	10,5	10,2
A6D470.10.XX					3/8"	10,0	9,7
A6D520.06.XX	277	92	520	422	1/4"	14,5	14,2
A6D520.08.XX					5/16"	13,5	13,2
A6D520.10.XX					3/8"	12,5	12,2
A6D570.06.XX	277	92	570	422	1/4"	17,5	17,2
A6D570.08.XX					5/16"	15,5	15,2
A6D570.10.XX					3/8"	13,5	13,2
A6D600.06.XX	277	92	620	532	1/4"	21,0	20,7
A6D600.08.XX					5/16"	17,0	16,7
A6D600.10.XX					3/8"	16,0	15,7
A6D650.06.XX	277	92	650	532	1/4"		
A6D650.08.XX					5/16"		
A6D650.10.XX					3/8"		
A6D 700.06.XX	277	92	720	532	1/4"	23,0	22,7
A6D700.08.XX					5/16"	21,0	20,7
A6D700.10.XX					3/8"	21,0	20,7

141.0



MODELO MODEL	PRESIÓN WORK.PRESS. MAX bar	A	B	C	D	E	G	Manguera /Hose		
								tipo type	Ø	m
AG400.06 LS/300	300	670	200	160	400	200	160			
AG400.08 LS/300										
AG400.10 LS/300										
AG470.06 LS/300	300	670	200	160	470	200	160	B1	1/4"	11,5
AG470.08 LS/300									5/16"	10,5
AG470.10 LS/300									3/8"	10,0
AG520.06 LS/300	300	670	200	160	520	200	160	B1	1/4"	14,5
AG520.08 LS/300									5/16"	13,5
AG520.10 LS/300									3/8"	12,5
AG600.06 LS/300	300	670	200	160	620	200	160	B1	1/4"	21,0
AG600.08 LS/300									5/16"	17,0
AG600.10 LS/300									3/8"	16,0
AG600.12 LS/300									1/2"	12,0
AG700.06 LS/300	300	780	290	260	720	237	192	B1	1/4"	23,0
AG700.08 LS/300									5/16"	21,0
AG700.10 LS/300									3/8"	21,0
AG700.12 LS/300									1/2"	15,0
AG800.06 LS/300	300	890	290	260	820	237	192	B1	1/4"	28,0
AG800.08 LS/300									5/16"	26,0
AG800.10 LS/300									3/8"	25,0
AG800.12 LS/300									1/2"	21,0
AG470.06 LS/700	700	670	200	160	470	200	160	B3	1/4"	9,0
AG520.06 LS/700		670	200	160	520	200	160			12,5
AG600.06 LS/700		670	200	160	620	200	160			17,5
AG700.06 LS/700		780	200	160	720	200	160			25,0
AG800.06 LS/700		890	290	260	820	237	192			28,0



**CARRETE DE MANGUERA CABLE**  
**(2 VÍAS + CABLE)**



**ENROULEUR ELECTRO-HYDRAULIQUE**  
**(2 TUYAUX + CABLE)**



**CABLE HOSE REEL**  
**(2 PORTS + CABLE)**



**SCHLAUCH-KABELROLLE**  
**(2 SCHLÄUCHE + KABEL)**

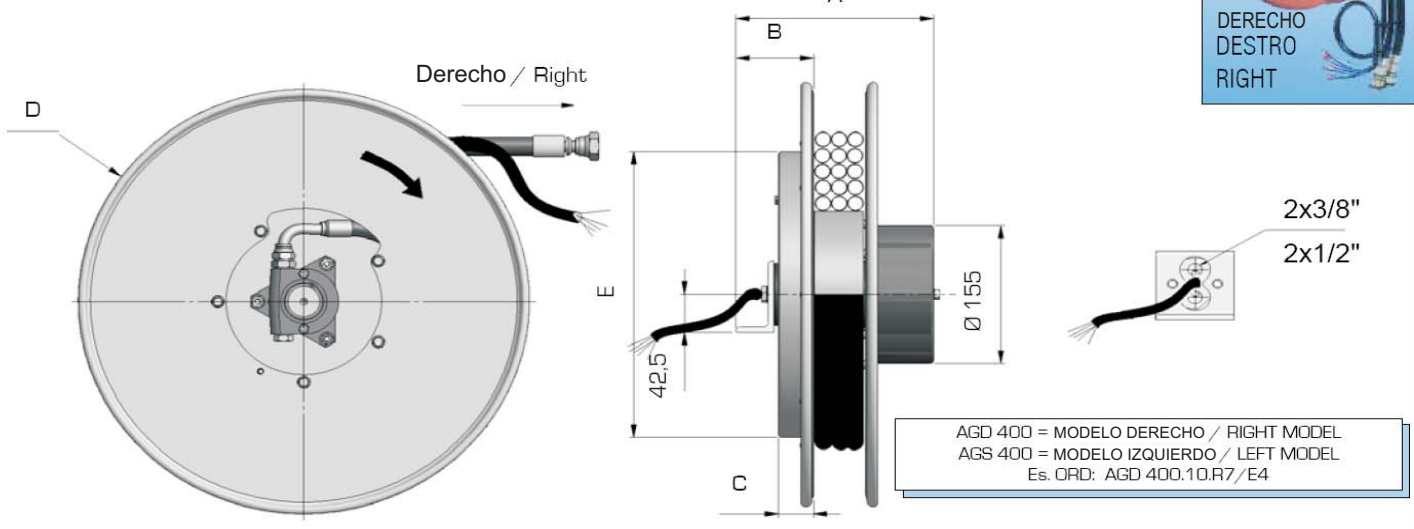
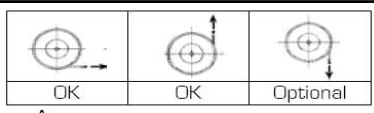
**AG/E**



DERECHO  
DESTRO  
RIGHT

141.0

MAX 40 l/min	PRESIÓN 300 bar	75V 5A
-----------------	--------------------	-----------



AGD 400 = MODELO DERECHO / RIGHT MODEL  
 AGS 400 = MODELO IZQUIERDO / LEFT MODEL  
 Es. ORD: AGD 400.10.R7/E4

Modelo derecho Right model	Hilos Wires N°	A	B	C	D	E	CON MANGUERA - WITH HOSE			
							1/4" - R7	5/16" - R7	3/8" - R7	3/8" - R8
							Y=06	Y=08	Y=10	Y=10
							X=R7	X=R7	X=R7	X=R8
							m			
AGD270.Y.X/E2	2	205								
AGD270.Y.X/E3	3	217								
AGD270.Y.X/E4	4	225	75	30	275	272	4.0	3.2	2.8	2.8
AGD270.Y.X/E6	6	245								
AGD270.Y.X/E8	8	245								
AGD270.Y.X/E12	12	280								
AGD295.Y.X/E2	2	205								
AGD295.Y.X/E3	3	217								
AGD295.Y.X/E4	4	225	75	35	295	291	4.7	4.2	3.6	3.6
AGD295.Y.X/E6	6	245								
AGD295.Y.X/E8	8	245								
AGD295.Y.X/E12	12	280								
AGD320.Y.X/E2	2	205								
AGD320.Y.X/E3	3	217								
AGD320.Y.X/E4	4	225	82	37	325	272	5.5	5.0	4.5	4.5
AGD320.Y.X/E6	6	245								
AGD320.Y.X/E8	8	245								
AGD320.Y.X/E12	12	280								
AGD340.Y.X/E2	2	205								
AGD340.Y.X/E3	3	217								
AGD340.Y.X/E4	4	225	82	37	340	272	6.0	5.3	4.6	4.6
AGD340.Y.X/E6	6	245								
AGD340.Y.X/E8	8	245								
AGD340.Y.X/E12	12	280								
AGD370.Y.X/E2	2	205								
AGD370.Y.X/E3	3	217								
AGD370.Y.X/E4	4	225	82	37	370	272	6.0	5.3	4.6	4.6
AGD370.Y.X/E6	6	245								
AGD370.Y.X/E8	8	245								
AGD370.Y.X/E12	12	280								
AGD400.Y.X/E2	2	205								
AGD400.Y.X/E3	3	217								
AGD400.Y.X/E4	4	225	82	37	400	322	7.3	6.5	5.6	5.6
AGD400.Y.X/E6	6	245								
AGD400.Y.X/E8	8	245								
AGD400.Y.X/E12	12	280								



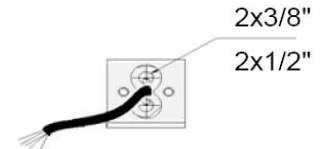
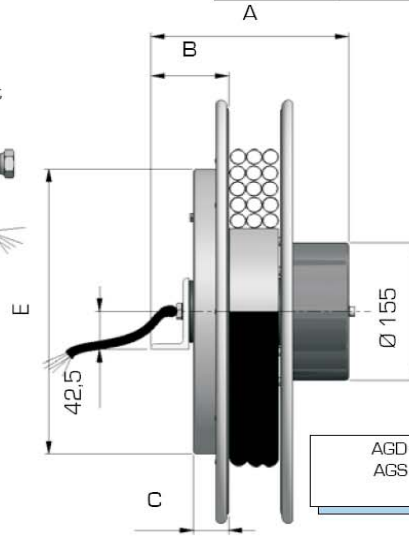
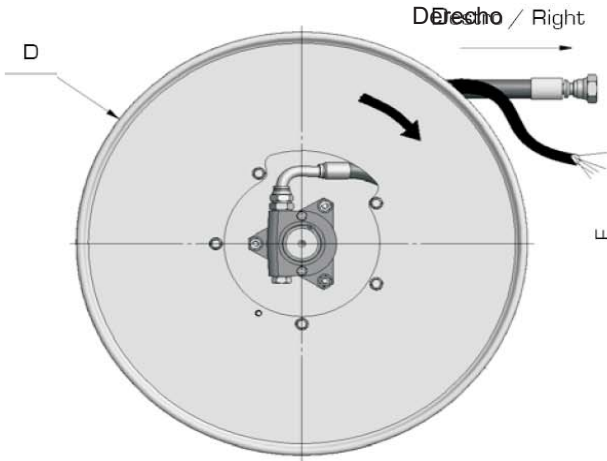
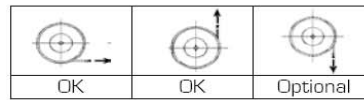


141.0

MAX  
40 l/min

PRESIÓN  
300 bar

75V  
5A



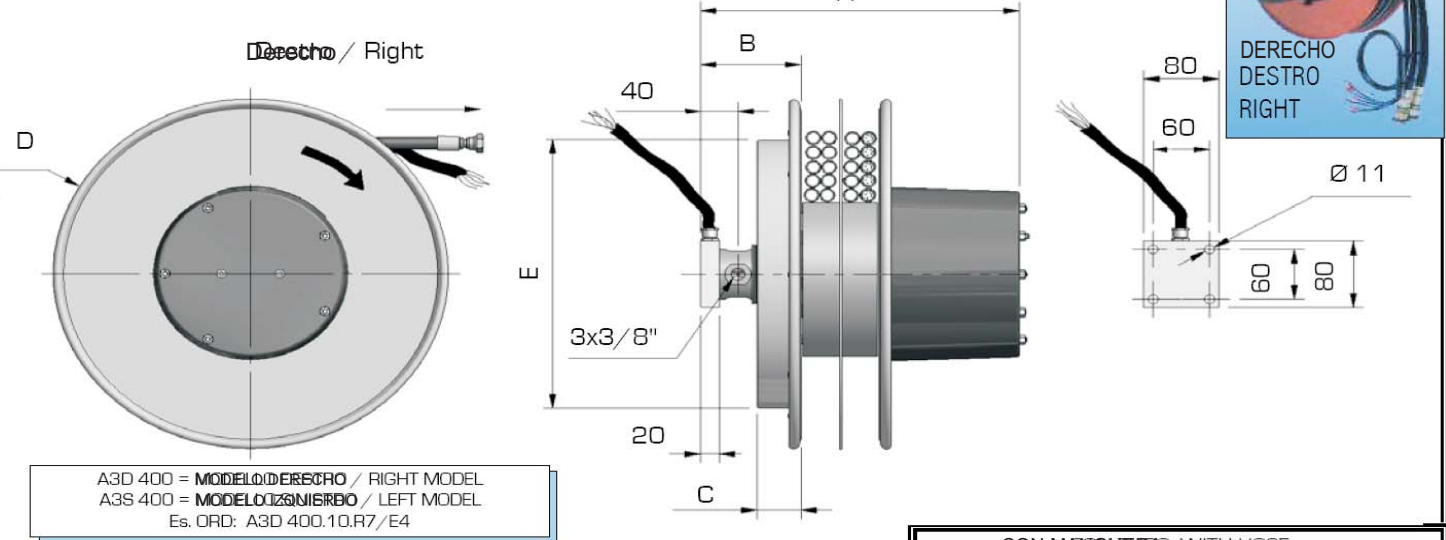
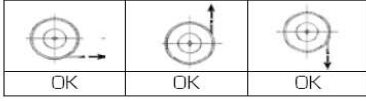
AGD 470 = **MODELO DERECHO** / RIGHT MODEL  
AGS 470 = **MODELO IZQUIERDO** / LEFT MODEL  
Es. ORD: AGD 470.10.R7/E4

Modelo derecho Right model	Hilos Wires N°	A	B	C	D	E	CON MANGUERA - WITH HOSE			
							1/4" - R7	5/16" - R7	3/8" - R7	3/8" - R8
							Y=06	Y=08	Y=10	Y=10
							X=R7	X=R7	X=R7	X=R8
							m	m	m	m
AGD420.Y.X/E2	2	205								
AGD420.Y.X/E3	3	217								
AGD420.Y.X/E4	4	225	82	37	420	322	8,6	8,0	6,7	6,7
AGD420.Y.X/E6	6	245								
AGD420.Y.X/E8	8	245								
AGD420.Y.X/E12	12	280								
AGD470.Y.X/E2	2	205								
AGD470.Y.X/E3	3	217								
AGD470.Y.X/E4	4	225	82	37	478	322	11,5	10,0	9,5	9,5
AGD470.Y.X/E6	6	245								
AGD470.Y.X/E8	8	245								
AGD470.Y.X/E12	12	280								
AGD520.Y.X/E2	2	205								
AGD520.Y.X/E3	3	217								
AGD520.Y.X/E4	4	225	82	37	520	422	14,5	12,5	11,2	11,2
AGD520.Y.X/E6	6	245								
AGD520.Y.X/E8	8	245								
AGD520.Y.X/E12	12	280								
AGD570.Y.X/E2	2	205								
AGD570.Y.X/E3	3	217								
AGD570.Y.X/E4	4	225	92	47	570	422	17,5	15,5	13,5	13,5
AGD570.Y.X/E6	6	245								
AGD570.Y.X/E8	8	245								
AGD570.Y.X/E12	12	280								
AGD600.Y.X/E2	2	205								
AGD600.Y.X/E3	3	217								
AGD600.Y.X/E4	4	225	92	47	620	422	21	17	16	16
AGD600.Y.X/E6	6	245								
AGD600.Y.X/E8	8	245								
AGD600.Y.X/E12	12	280								
AGD650.Y.X/E2	2	205								
AGD650.Y.X/E3	3	217								
AGD650.Y.X/E4	4	225	92	47	650	422	22,5	19,5	17,5	17,5
AGD650.Y.X/E6	6	245								
AGD650.Y.X/E8	8	245								
AGD650.Y.X/E12	12	280								
AGD700.Y.X/E2	2	205								
AGD700.Y.X/E3	3	217								
AGD700.Y.X/E4	4	225	102	57	720	532	27	22	20	20
AGD700.Y.X/E6	6	245								
AGD700.Y.X/E8	8	245								
AGD700.Y.X/E12	12	280								



141.0

MAX 40 l/min  
PRESIÓN 300 bar  
75V 5A



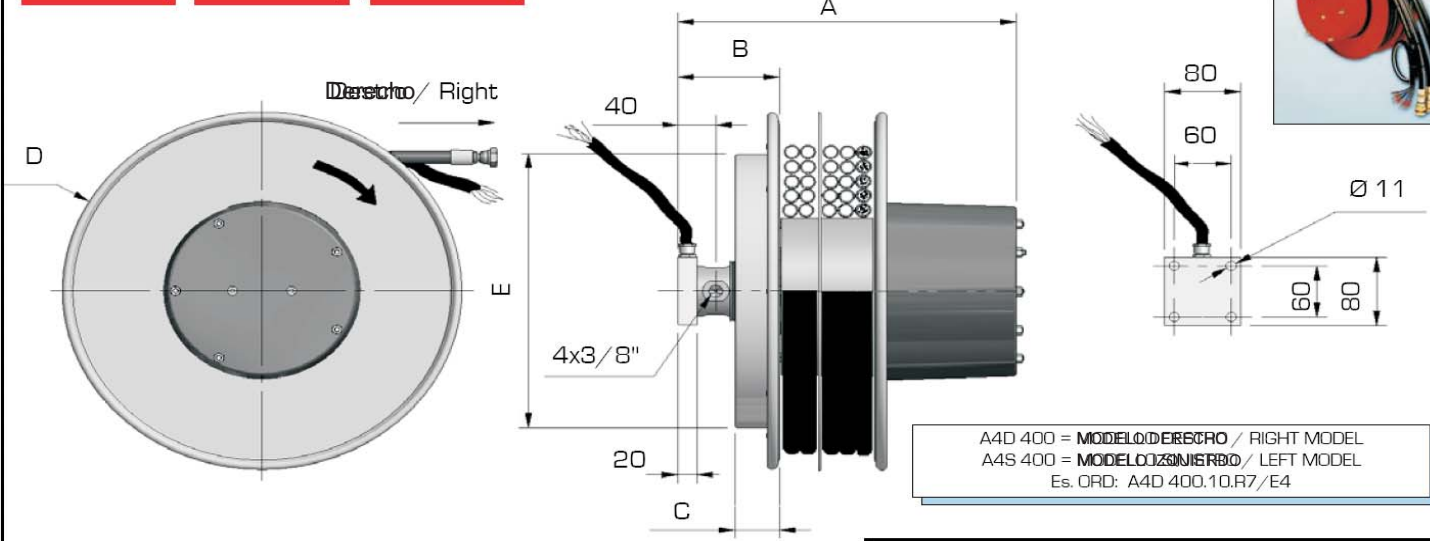
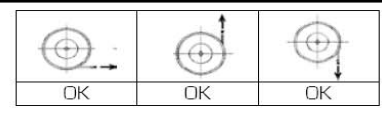
A3D 400 = **MODELO DERECHO** / RIGHT MODEL  
A3S 400 = **MODELO IZQUIERDO** / LEFT MODEL  
Es. ORD: A3D 400.10.R7/E4

Modelo derecho	Hilos Wires N°	A	B	C	D	E	CON MANGUERA - WITH HOSE							
							1/4" - R7	5/16" - R7	3/8" - R7	3/8" - R8	1/2" - B1			
Right model		mm					m							
A3D295.YX/E2	2													
A3D295.YX/E3	3													
A3D295.YX/E4	4													
A3D295.YX/E6	6				295		3.0	2.3	2.3	2.3	2.3	1.5		
A3D295.YX/E8	8													
A3D295.YX/E12	12													
A3D320.YX/E2	2													
A3D320.YX/E3	3													
A3D320.YX/E4	4													
A3D320.YX/E6	6				325		4.0	3.2	3.3	3.3	3.3	2.5		
A3D320.YX/E8	8													
A3D320.YX/E12	12													
A3D340.YX/E2	2													
A3D340.YX/E3	3													
A3D340.YX/E4	4													
A3D340.YX/E6	6				340		5.0	4.2	4.0	4.0	4.0	2.5		
A3D340.YX/E8	8													
A3D340.YX/E12	12													
A3D370.YX/E2	2													
A3D370.YX/E3	3													
A3D370.YX/E4	4													
A3D370.YX/E6	6				370		6.0	5.3	4.5	4.5	4.5	3.5		
A3D370.YX/E8	8													
A3D370.YX/E12	12													
A3D400.YX/E2	2													
A3D400.YX/E3	3													
A3D400.YX/E4	4													
A3D400.YX/E6	6				400		7.3	6.5	5.6	5.6	5.6	4.5		
A3D400.YX/E8	8													
A3D400.YX/E12	12													
A3D420.YX/E2	2													
A3D420.YX/E3	3													
A3D420.YX/E4	4													
A3D420.YX/E6	6				420		8.6	8.0	6.7	6.7	6.7	4.7		
A3D420.YX/E8	8													
A3D420.YX/E12	12													
A3D470.YX/E2	2													
A3D470.YX/E3	3													
A3D470.YX/E4	4													
A3D470.YX/E6	6				478		11.5	10.0	9.5	9.5	9.5	7.5		
A3D470.YX/E8	8													
A3D470.YX/E12	12													



141.0

MAX 40 l/min  
PRESIÓN 300 bar  
75V 5A



A4D 400 = MODELO DERECHO / RIGHT MODEL  
A4S 400 = MODELO SINIERRO / LEFT MODEL  
Es. ORD: A4D 400.10.R7/E4

Modelo derecho Right model	Hilos Wires N°	A	B	C	D	E	CON MANGUERA - WITH HOSE				
							1/4" - R7	5/16" - R7	3/8" - R7	3/8" - R8	1/2" - B1
		mm					Y=06	Y=08	Y=10	Y=10	Y=12
		mm					X=R7	X=R7	X=R7	X=R8	X=B1
		mm					m				
A4D295.Y.X/E2	2	280									
A4D295.Y.X/E3	3	292									
A4D295.Y.X/E4	4	304	107	35	295	291	3,0	2,3	2,3	2,3	1,5
A4D295.Y.X/E6	6	327									
A4D295.Y.X/E8	8	327									
A4D295.Y.X/E12	12	362									
A4D320.Y.X/E2	2	280									
A4D320.Y.X/E3	3	292									
A4D320.Y.X/E4	4	304	107	37	325	272	4,0	3,2	3,3	3,3	2,5
A4D320.Y.X/E6	6	327									
A4D320.Y.X/E8	8	327									
A4D320.Y.X/E12	12	362									
A4D340.Y.X/E2	2	280									
A4D340.Y.X/E3	3	292									
A4D340.Y.X/E4	4	304	107	37	340	272	5,0	4,2	4,0	4,0	2,5
A4D340.Y.X/E6	6	327									
A4D340.Y.X/E8	8	327									
A4D340.Y.X/E12	12	362									
A4D370.Y.X/E2	2	280									
A4D370.Y.X/E3	3	292									
A4D370.Y.X/E4	4	304	107	37	370	272	6,0	5,3	4,5	4,5	3,5
A4D370.Y.X/E6	6	327									
A4D370.Y.X/E8	8	327									
A4D370.Y.X/E12	12	362									
A4D400.Y.X/E2	2	280									
A4D400.Y.X/E3	3	292									
A4D400.Y.X/E4	4	304	107	47	400	322	7,3	6,5	5,6	5,6	4,5
A4D400.Y.X/E6	6	327									
A4D400.Y.X/E8	8	327									
A4D400.Y.X/E12	12	362									
A4D420.Y.X/E2	2	280									
A4D420.Y.X/E3	3	292									
A4D420.Y.X/E4	4	304	107	47	420	322	8,6	8,0	6,7	6,7	4,7
A4D420.Y.X/E6	6	327									
A4D420.Y.X/E8	8	327									
A4D420.Y.X/E12	12	362									
A4D470.Y.X/E2	2	280									
A4D470.Y.X/E3	3	292									
A4D470.Y.X/E4	4	304	107	47	478	322	11,5	10,0	9,5	9,5	7,5
A4D470.Y.X/E6	6	327									
A4D470.Y.X/E8	8	327									
A4D470.Y.X/E12	12	362									

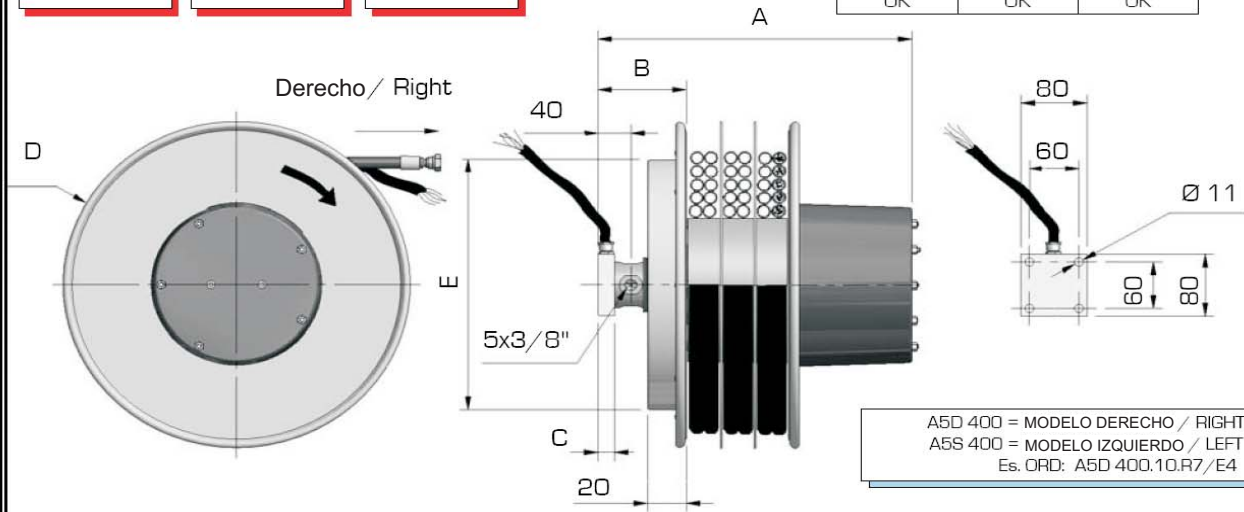
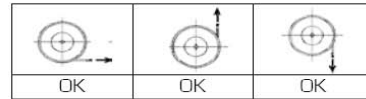


141.0

MAX  
40 l/min

PRESIÓN  
300 bar

75V  
5A



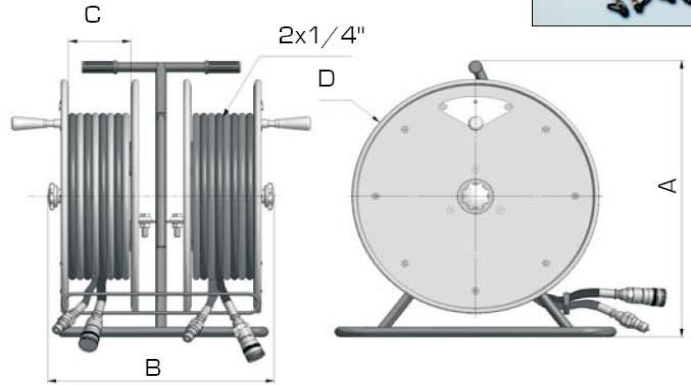
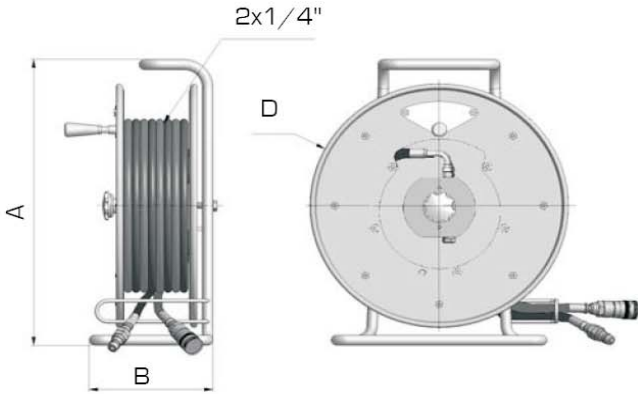
A5D 400 = MODELO DERECHO / RIGHT MODEL  
 A5S 400 = MODELO IZQUIERDO / LEFT MODEL  
 Es. ORD: A5D 400,10,R7/E4

Modelo derecho Right model	Hilos Wires N°	A	B	C	D	E	CON MANGUERA -WITH HOSE							
							1/4" - R7 Y=06 X=R7	5/16" - R7 Y=08 X=R7	3/8" - R7 Y=10 X=R7	3/8" - R8 Y=10 X=R8	1/2" - B1 Y=12 X=B1			
							mm							
							m							
A5D295.Y.X/E2	2													
A5D295.Y.X/E3	3													
A5D295.Y.X/E4	4				295		3,0	2,3	2,3	2,3	1,5			
A5D295.Y.X/E6	6													
A5D295.Y.X/E8	8													
A5D295.Y.X/E12	12													
A5D320.Y.X/E2	2													
A5D320.Y.X/E3	3													
A5D320.Y.X/E4	4				325		4,0	3,2	3,3	3,3	2,5			
A5D320.Y.X/E6	6													
A5D320.Y.X/E8	8													
A5D320.Y.X/E12	12													
A5D340.Y.X/E2	2													
A5D340.Y.X/E3	3													
A5D340.Y.X/E4	4				340		5,0	4,2	4,0	4,0	2,5			
A5D340.Y.X/E6	6													
A5D340.Y.X/E8	8													
A5D340.Y.X/E12	12													
A5D370.Y.X/E2	2													
A5D370.Y.X/E3	3													
A5D370.Y.X/E4	4				370		6,0	5,3	4,5	4,5	3,5			
A5D370.Y.X/E6	6													
A5D370.Y.X/E8	8													
A5D370.Y.X/E12	12													
A5D400.Y.X/E2	2													
A5D400.Y.X/E3	3													
A5D400.Y.X/E4	4				400		7,3	6,5	5,6	5,6	4,5			
A5D400.Y.X/E6	6													
A5D400.Y.X/E8	8													
A5D400.Y.X/E12	12													
A5D420.Y.X/E2	2													
A5D420.Y.X/E3	3													
A5D420.Y.X/E4	4				420		8,6	8,0	6,7	6,7	4,7			
A5D420.Y.X/E6	6													
A5D420.Y.X/E8	8													
A5D420.Y.X/E12	12													
A5D470.Y.X/E2	2													
A5D470.Y.X/E3	3													
A5D470.Y.X/E4	4				478		11,5	10,0	9,5	9,5	7,5			
A5D470.Y.X/E6	6													
A5D470.Y.X/E8	8													
A5D470.Y.X/E12	12													

141.0

RT 1

RT 2

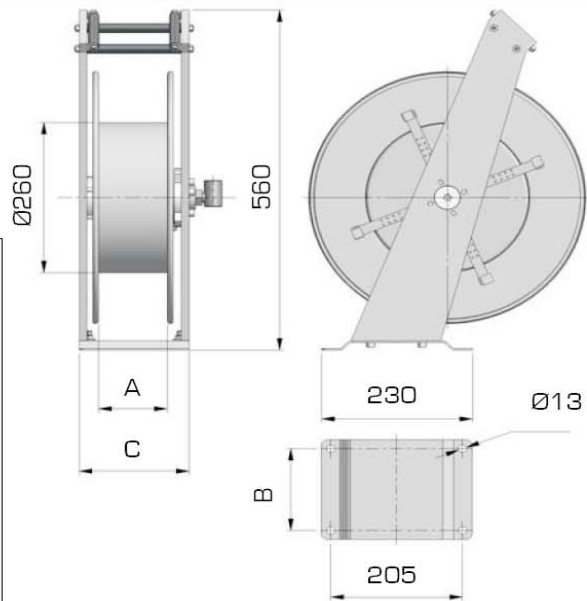
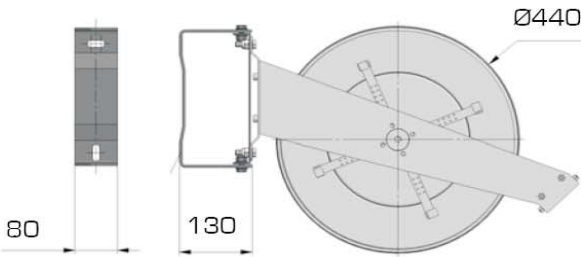


Modelo Model	PRESIÓN MAX. MAX PRESSURE		A	B	C	D	MANGUERA HOSE Tipo/Type
	bar	MPa					
RT1.20.35	350	35	500	200	115	420	1/4" B2 - 20m
RT1.30.35			580			478	1/4" B2 - 30m
RT1.50.35			620	210	150	520	1/4" B2 - 50m
RT1.20.70	700	70	500	200	115	420	1/4" B3 - 20m
RT1.30.70			580			478	1/4" B3 - 30m
RT1.50.70			620	210	150	520	1/4" B3 - 50m
RT2.20.35	350	35	500	385	115	420	2 x 1/4" B2 - 20m
RT2.30.35						478	2 x 1/4" B2 - 30m
RT2.20.70	700	70				420	2 x 1/4" B3 - 20m
RT2.30.70						478	2 x 1/4" B3 - 30m

141.0



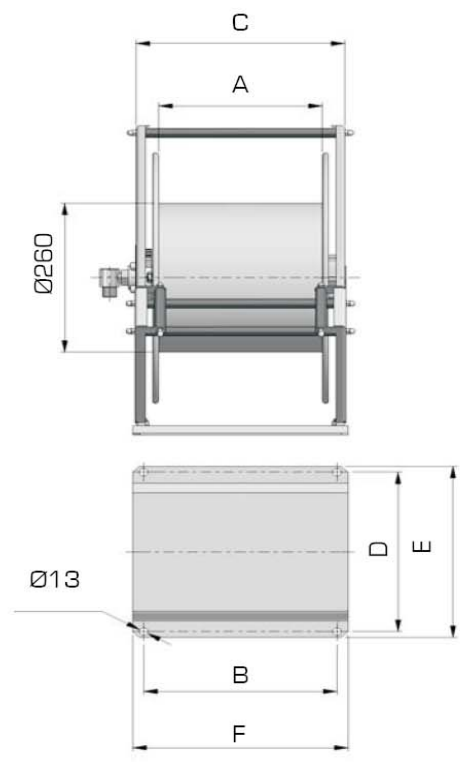
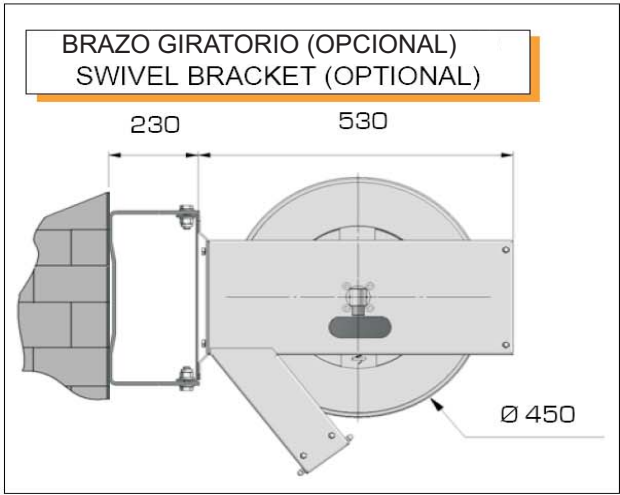
**BRAZO GIRATORIO (OPCIONAL)**  
**SWIVEL BRACKET (OPTIONAL)**



	MODELO MODEL	A	B	C	Manguera / Hose			Brazo giratorio Swivel bracket
					tipo type	Ø	m	Tipo Type
AIRE ACEITE GASOLINA	9001	120	142	180	1SN	1/4	15	9075
					2SN			
					I21			
	9002	150	180	210	1SN	1/4	20	9076
					2SN			
					I21			
AIR OIL DIESEL-OIL	9003	120	142	180	1SN	3/8	15	9075
					2SN			
					I21			
	9004	150	180	210	1SN	3/8	20	9076
					2SN			
					I21			
ACERO PINTADO	9005	120	142	180	1SN	1/2	10	9075
					2SN			
					I21			
PAINTED STEEL	9006	150	180	210	1SN	1/2	20	9076
					2SN			
					I21			
400 bar 40°C	9007	120	142	180	1SN	5/16	15	9075
					2SN			
					I21			
	9008	150	180	210	1SN	5/16	20	9076
					2SN			
					I21			
GRASA GREASE 400 bar	9009	120	142	180	2SN	1/4	15	9075
	9010	150	180	210			20	9076
AGUA WATER ACERO INOX STAINLESS STEEL 250 bar 150°C	9011	120	142	180	I21	3/8	15	9077
	9012	150	180	210			20	9078
	9013	120	142	180			10	9077
	9014	150	180	210			20	9078
	9015	120	142	180			15	9077
	9016	150	180	210			20	9078



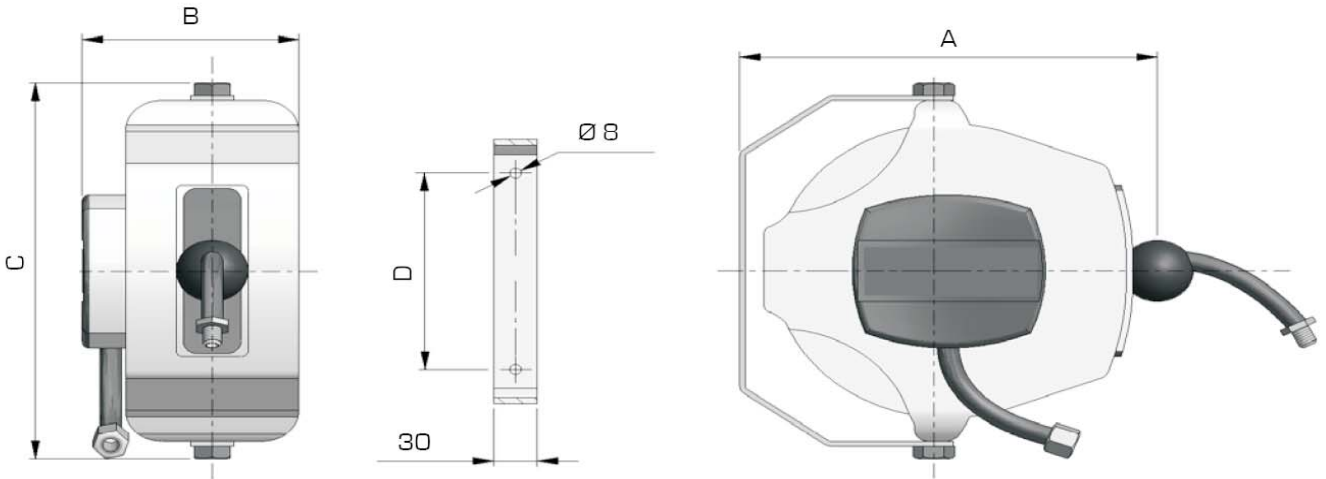
141.0



	MODELO MODEL	PRESIÓN WORK.PRESS. MAX bar	A	B	C	D	E	F	Manguera/Hose			Brazo giratorio Swivel bracket Tipo Type
									tipo type	Ø	m	
<b>AIRE ACEITE GASOLINA</b> <b>AIR OIL DIESEL-OIL</b> <b>ACCIAIO VERNICIATO PAINTED STEEL</b>	9100-08	400	250	265	300	265	295	310	I21	5/16"	25	9084
	9100-10									3/8"		
	9100-12									1/2"		
	9101-08	400	300	415	350	205	235	435	I21	5/16"	40	9079
	9101-10									3/8"		
	9101-12									1/2"		
	9102-19	80	150	265	205	205	235	305	2TE	3/4"	10	9076
	9102-25									1"	8	
	9103-19									80	300	
9103-25	1"	15										
9105-19	80	400	470	450	255	285	500	2TE	3/4"			25
9105-25									1"	25		
<b>AGUA MAX 150°C</b> <b>ACERO INOX.</b> <b>WATER MAX 150°C STAINLESS STEEL</b>	9150-08	250	250	265	300	265	295	310	I21	5/16"	25	9085
	9150-10									3/8"		
	9150-12									1/2"		
	9151-08	250	300	415	350	205	235	435	I21	5/16"	40	9080
	9151-10									3/8"		
	9151-12									1/2"		
	9152-19	80	150	265	205	205	235	305	2TE	3/4"	10	9078
	9152-25									1"	8	
	9153-19									80	300	
	9153-25	1"	15									
	9155-19	80	400	470	450	255	285	500	2TE			3/4"
	9155-25									1"	25	

141.0

Automático, con dispositivo de bloqueo de la manguera y del brazo giratorio  
Automatic with hose lock system and swivel bracket  
Automatiques avec système d'arrêt du tuyau et étrier pivotant  
Automatisch, mit Schlaucharretierung und schwenkbarer Halterung

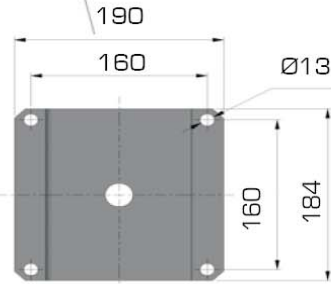
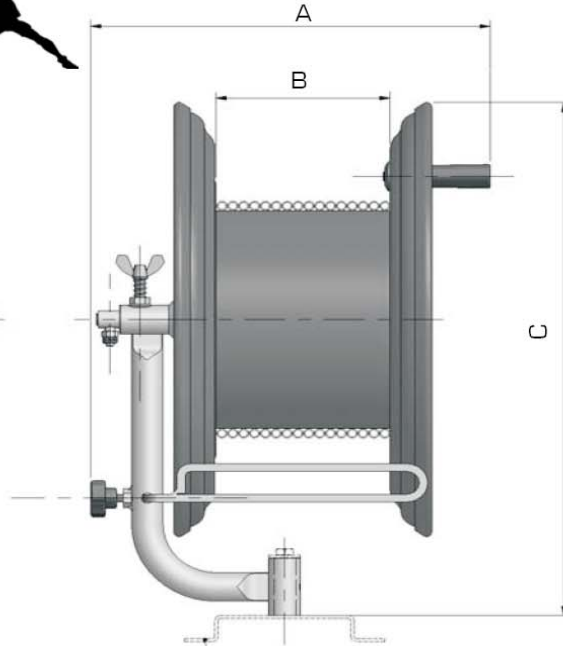
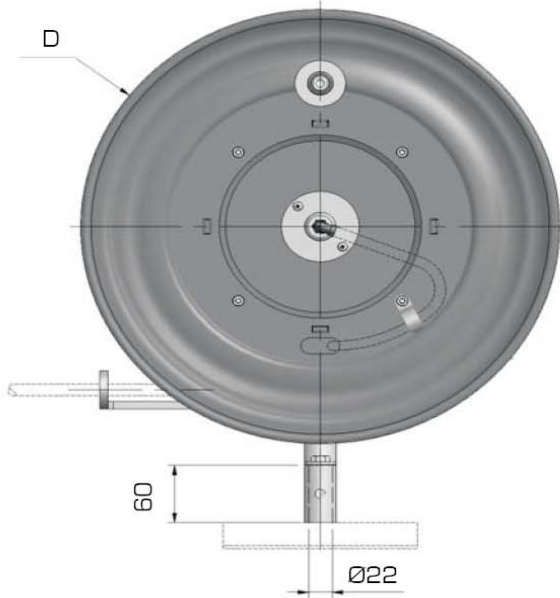
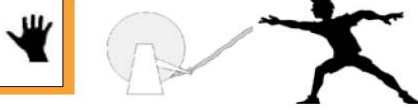


FLUIDO FLUID	MODELO MODEL	A	B	C	D	MANGUERA HOSE		PRESIÓN MAX. MAX PRESSURE	
						Tipo/Type	m	bar	Mpa
AIRECOMPRESIMIDO COMPRESSED AIR	800					6x8	5		
	801	300	150	300	160	6x10	10	10	1
	802	325	160	320	200	8x12	15	20	2
	803					10x15	20	15	1,5
	804					12x18	15	15	1,5



141.0

USO MANUAL  
MANUAL USE

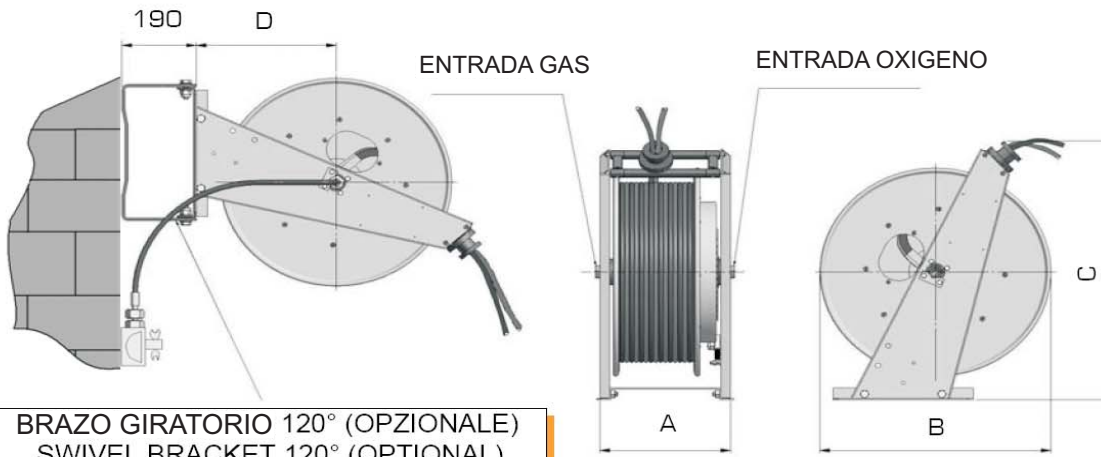


BRAZO (OPCIONAL)  
BRACKET (OPTIONAL)

MODELO MODEL	A	B	C	D	Manguera Hose		BRAZO (Opcional) BRACKET (optional)
					Ø	m	CODICE/CODE
821.8	332	121	455	380	8x10	50	9830
821.6	332	121	455	380	6x8	100	
822.8	380	165	540	450	8x10	100	
822.6	380	165	540	450	6x8	150	
823.8	480	265	540	450	8x10	150	
823.6	480	265	540	450	6x8	200	
824.8	400	180	680	615	8x10	250	
824.6	400	180	680	615	6x8	350	



141.0



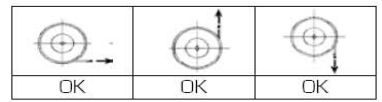
MODELO MODEL	PRESIÓN MAX. MAX PRESSURE	A	B	C	D	PESO WEIGHT	Con manguera / With hose		Brazo giratorio Swivel bracket	Bloqueo manguera Hose stopper	
	bar						mm				Kg
9201.0606	20	217				39	6x13 twin	13	9251		
9201.0808							8x15 twin	10			
9201.1010							10x17 twin	10			
9202.0606	20	285				46	6x13 twin	20	9252		
9202.0808							8x15 twin				
9202.1010							10x17 twin				
9202.1000							10x19 Single	30			
9203.0606	20	403				56	6x13 twin	30	9253		
9203.0808							8x15 twin				
9203.1010							10x17 twin				
9203.1310	20	403				56	13x23+10x19	21			
9203.1300	20	403				56	13x23 single	28			
9204.1310	20	403				66	13x23+10x19	30			

**MANGUERA DOBLE ENGOMADA PARA SOLDADURA DE GAS  
RUBBER TWIN HOSE FOR WELDING GAS**

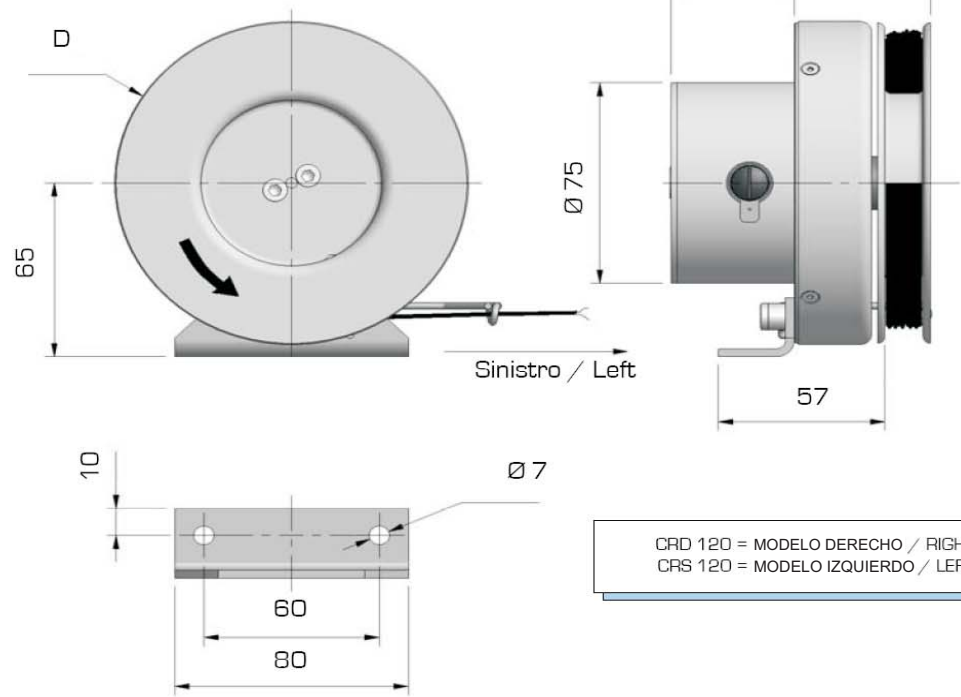
DIN 8541 - ISO 3821	TIPO TYPE	PRESIÓN PRESSURE
	mm	bar
	6x13 twin	20
	8x15 twin	
	10x17 twin	

141.0

IP 65    MAX 75 V    -20 / +60°C



**NO MANUAL**



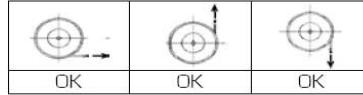
Cable / Cable			A	B	D	REFERENCIA
Tipo / Type	ø mm	mt.	mm			
2x0,25 mm <sup>2</sup>		3,3	88	35	120	CRD120.0202533
3x0,25 mm <sup>2</sup>		3,3	110	57	120	CRD120.0302533

141.0

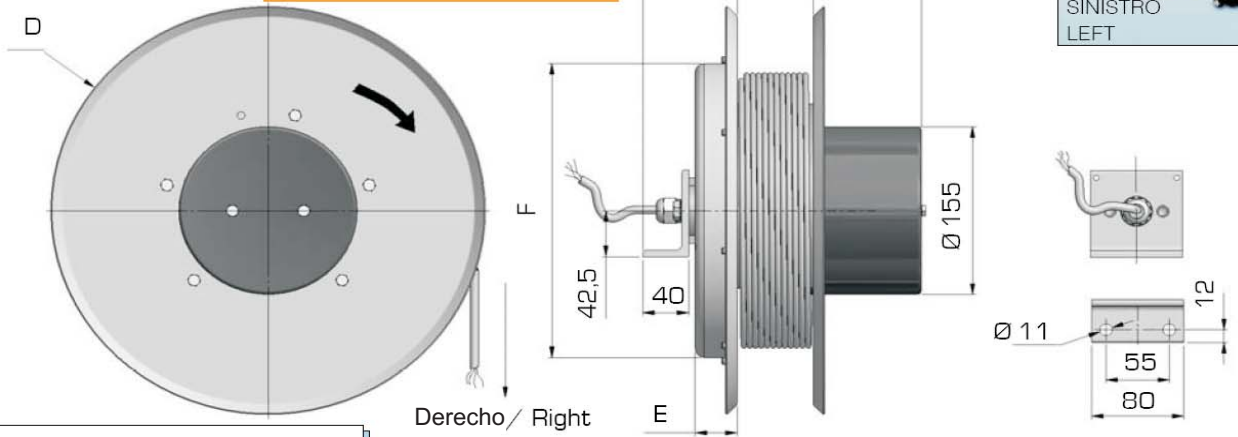
IP 65

75 V  
MAX  
5 A

-20 / +60°C



**NO MANUAL**



CRD 520 = MODELO DERECHO / RIGHT MODEL  
CRS 520 = MODELO IZQUIERDO / LEFT MODEL

Derecho / Right

Horizontal use   Vertical use

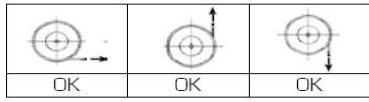
Cable / Cable			A	B	C	D	E	F	Horizontal use	Vertical use
Tipo / Type	ø mm	mt.	mm						REFERENCIA	REFERENCIA
2x1 mm <sup>2</sup>	6,0	5	161	82	-	235	30	228	CRD230.021005	CRD230.021005/V
		10	161	82	-	235	30	228	CRD230.021010	CRD230.021010/V
		15	161	82	-	370	37	322	CRD370.021015	CRD370.021015/V
		27	161	92	-	422	37	322	CRD420.021027	CRD420.021027/V
		32	161	92	-	478	47	322	CRD470.021032	CRD470.021032/V
		36	161	92	-	520	47	322	CRD520.021036	CRD520.021036/V
3x1 mm <sup>2</sup>	7,3	8	150	82	-	235	30	228	CRD230.031008	CRD230.031008/V
		10	210	82	-	275	37	272	CRD270.031010	CRD270.031010/V
		15	210	82	-	370	37	322	CRD370.031015	CRD370.031015/V
		25	220	92	-	422	37	322	CRD420.031025	CRD420.031025/V
		40	220	92	-	620	47	422	CRD600.031040	CRD600.031040/V
4x1 mm <sup>2</sup>		12	174	82	-	370	37	322	CRD370.041012	CRD370.041012/V
6x1 mm <sup>2</sup>	10,0	5	230	82	-	235	30	228	CRD230.061005	CRD230.061005/V
		15	250	82	-	370	37	322	CRD370.061015	CRD370.061015/V
		20	260	92	-	478	47	322	CRD470.061020	CRD470.061020/V
		25	260	92	-	520	47	322	CRD520.061025	CRD520.061025/V
		30	260	92	-	620	47	422	CRD600.061030	CRD600.061030/V
		35	260	92	-	720	47	532	CRD700.061035	CRD700.061035/V
7x1 mm <sup>2</sup>	10,5	10	250	82	-	340	37	272	CRD340.071010	CRD340.071010/V
		18	250	82	-	370	37	322	CRD370.071018	CRD370.071018/V
		25	260	92	-	520	47	322	CRD520.071025	CRD520.071025/V
8x1 mm <sup>2</sup>	11	10	250	82	-	340	37	272	CRD340.081010	CRD340.081010/V
		18	260	82	-	370	37	322	CRD370.081018	CRD370.081018/V
		25	260	92	-	520	47	322	CRD520.081025	CRD520.081025/V



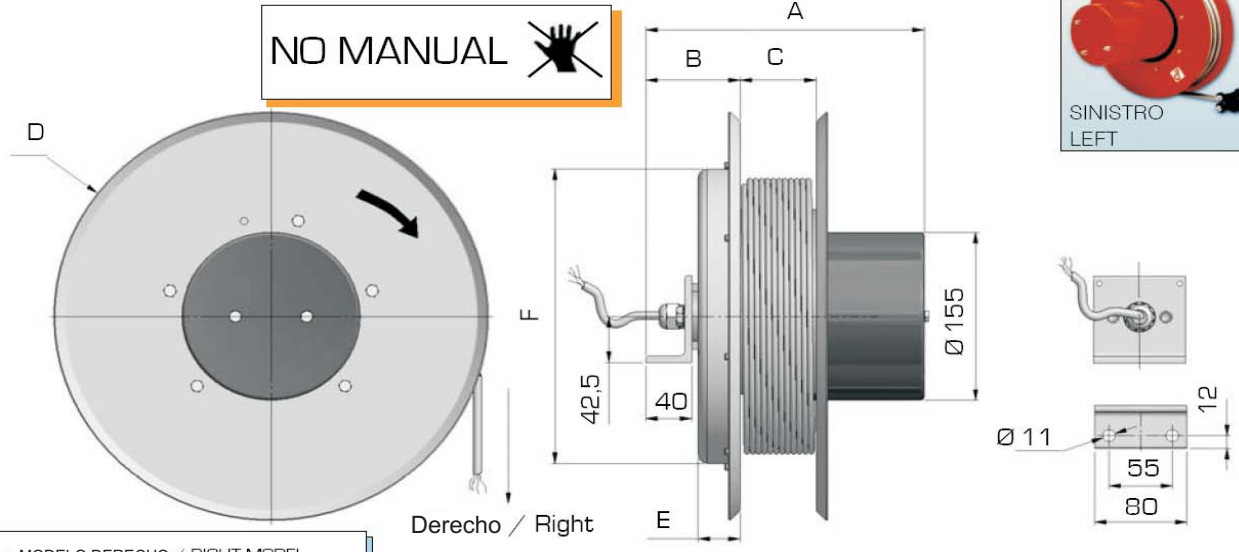


141.0

IP 65      75 V  
MAX      5 A  
-20 / +60°C



**NO MANUAL**

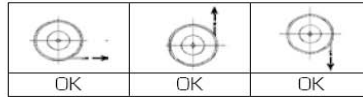


CRD 520 = MODELO DERECHO / RIGHT MODEL  
 CRS 520 = MODELO IZQUIERDO / LEFT MODEL

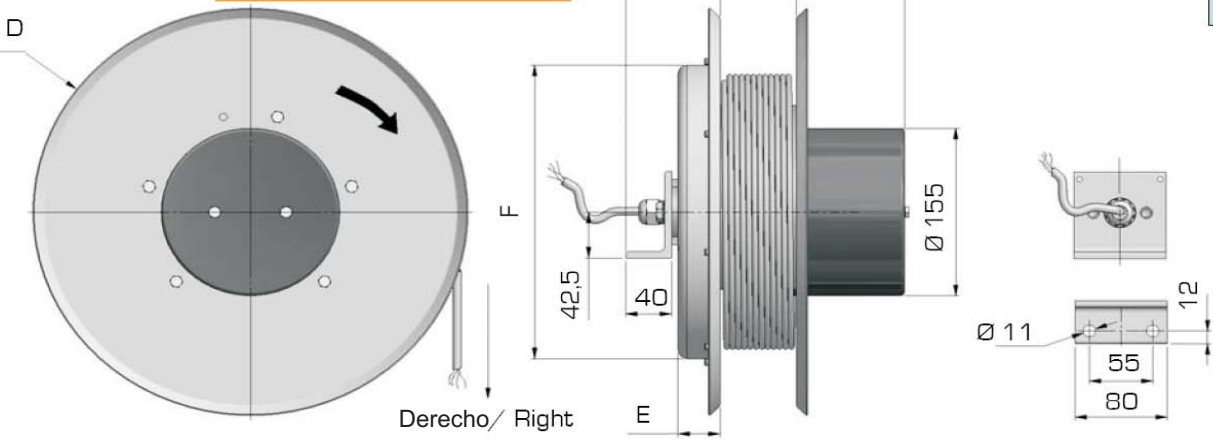
Cable / Cable			A	B	C	D	E	F	Uso horizontal Horizontal use	Uso vertical Vertical use
Tipo / Type	ø mm	mt.	mm						REFERENCIA	REFERENCIA
12x1 mm <sup>2</sup>	13	10	285	82	-	370	37	322	CRD370.121010	CRD370.121010/V
		15	285	92	-	478	47	322	CRD470.121015	CRD470.121015/V
		20	285	92	-	500	47	322	CRD500.121020	CRD500.121020/V
		25	295	92	-	570	47	422	CRD570.121025	CRD570.121025/V
		32	295	92	-	720	47	532	CRD700.121032	CRD700.121032/V
16x1 mm <sup>2</sup>	15,3	10	340	82	-	370	37	322	CRD370.161010	CRD370.161010/V
		15	340	92	-	520	47	322	CRD520.161015	CRD520.161015/V
		20	350	92	-	570	47	422	CRD570.161020	CRD570.161020/V
		30	350	92	-	720	47	532	CRD700.161030	CRD700.161030/V
		40				800			CRD800.161035	CRD800.161035/V
20x1 mm <sup>2</sup>	15	10	360	82	-	370	37	322	CRD370.201010	CRD370.201010/V
		20	360	92	-	570	47	422	CRD570.201020	CRD570.201020/V
24x1 mm <sup>2</sup>	15,5	10	380	82	-	400	37	322	CRD400.241010	CRD400.241010/V
		15	380	92	-	520	47	322	CRD520.241015	CRD520.241015/V
		20	380	92	-	570	47	422	CRD570.241020	CRD570.241020/V
		25	390	92	-	620	47	422	CRD600.241025	CRD600.241025/V
30x1 mm <sup>2</sup>	17,3	15	390	92	-	500	47	322	CRD500.301015	CRD500.301015/V
32x1 mm <sup>2</sup>	18,8	5	390	92	-	478	47	322	CRD470.321005	CRD470.321005/V
		12	390	92	-	520	47	322	CRD520.321012	CRD520.321012/V
		20	390	92	-	620	47	422	CRD600.321020	CRD600.321020/V
		25				650	47	422	CRD650.321025	CRD650.321025/V
36x1 mm <sup>2</sup>	18,8	15				570	47	422	CRD570.361015	CRD570.361015/V
		25				650	47	422	CRD650.361025	CRD650.361025/V

141.0

IP 65      75 V MAX      -20 / +60°C  
6 A



**NO MANUAL**



CRD 520 = MODELO DERECHO / RIGHT MODEL  
CRS 520 = MODELO IZQUIERDO / LEFT MODEL

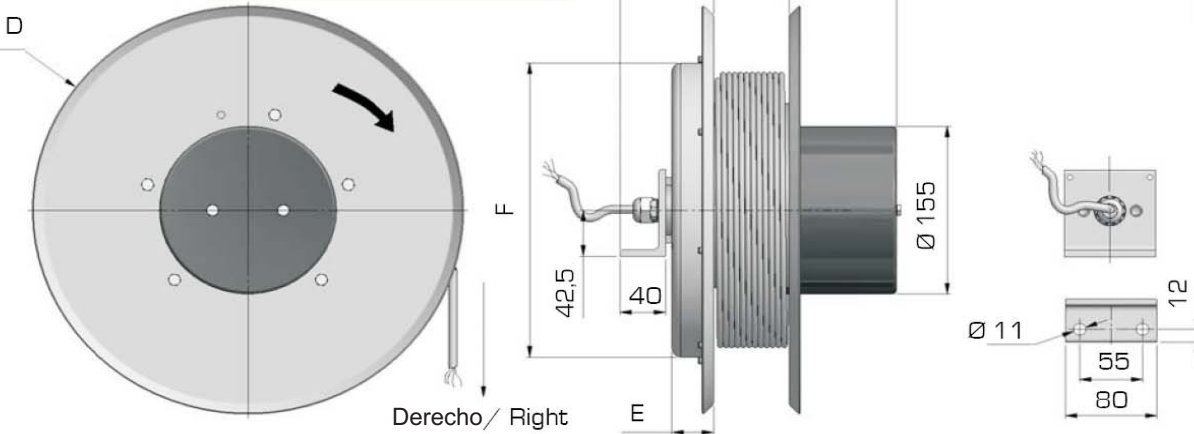
Cable / Cable			A	B	C	D	E	F	Uso horizontal Horizontal use	Uso vertical Vertical use
Tipo/Type	ø mm	mt.	mm						REFERENCIA	REFERENCIA
2x1,5 mm <sup>2</sup>	8,0	6	161	82	-	235	30	228	CRD230.021506	CRD230.021506/V
		10	161	82	-	275	37	272	CRD270.021510	CRD270.021510/V
		15	161	82	-	370	37	322	CRD370.021515	CRD370.021515/V
		25	161	92	-	420	47	322	CRD420.021525	CRD420.021525/V
		30	161	92	-	478	47	422	CRD470.021530	CRD470.021530/V
		45	161	92	-	820	47	422	CRD800.021545	CRD800.021545/V
3x1,5 mm <sup>2</sup>	8,0	6	150	82	-	235	30	228	CRD230.031506	CRD230.031506/V
		10	210	82	-	275	37	272	CRD270.031510	CRD270.031510/V
		15	210	82	-	370	37	322	CRD370.031515	CRD370.031515/V
		25	210	92	-	420	47	322	CRD420.031525	CRD420.031525/V
		30	220	92	-	478	47	422	CRD470.031530	CRD470.031530/V
		45	220	92	-	820	47	532	CRD800.031545	CRD800.031545/V
4x1,5 mm <sup>2</sup>	9,3	5	230	82	-	235	30	228	CRD230.041505	CRD230.041505/V
		10	230	82	-	295	37	322	CRD295.041510	CRD295.041510/V
		15	230	82	-	370	37	322	CRD370.041515	CRD370.041515/V
		20	240	92	-	420	47	322	CRD420.041520	CRD420.041520/V
		25	240	92	-	520	47	422	CRD520.041525	CRD520.041525/V
		30	240	92	-	620	47	532	CRD600.041530	CRD600.041530/V
		35	240	92	-	720	47	532	CRD700.041535	CRD700.041535/V
		40	240	92	-	820	47	532	CRD800.041540	CRD800.041540/V
7x1,5 mm <sup>2</sup>	11,7	10	250	82	-	340	37	322	CRD340.071510	CRD340.071510/V
		15	250	92	-	370	37	322	CRD370.071515	CRD370.071515/V
		20	260	92	-	520	47	422	CRD520.071520	CRD520.071520/V
		25	260	92	-	570	47	422	CRD570.071525	CRD570.071525/V
		35	270	92	-	720	47	532	CRD700.071535	CRD700.071535/V

141.0

IP 65      75 V MAX 6 A      -20 / +60°C



**NO MANUAL**



CRD 520 = MODELO DERECHO / RIGHT MODEL  
CPS 520 = MODELO IZQUIERDO / LEFT MODEL



Cable / Cable			A	B	C	D	E	F	Uso horizontal Horizontal use	Uso vertical Vertical use
Tipo/Type	ø mm	mt.	mm						REFERENCIA	REFERENCIA
12x1,5 mm <sup>2</sup>	14,7	10	285	92	-	400	37	322	CRD400.121510	CRD400.121510/V
		15	285	92	-	520	47	422	CRD520.121515	CRD520.121515/V
		20	285	92	-	520	47	422	CRD520.121520	CRD520.121520/V
		30	295	92	-	720	47	532	CRD700.121530	CRD700.121530/V
		35	295	92	-	820	47	532	CRD800.121535	
16x1,5 mm <sup>2</sup>	16,6	10	340	92	-	478	47	322	CRD470.161510	CRD470.161510/V
		15	340	92	-	520	47	422	CRD520.161515	CRD520.161515/V
		20	350	92	-	570	47	422	CRD570.161520	CRD570.161520/V
		25	350	92	-	620	47	532	CRD600.161525	CRD600.161525/V
		35	350	92	-	820	47	532	CRD800.161535	
20x1,5 mm <sup>2</sup>	20,0	20	360	92	-	620	47	532	CRD600.201520	CRD600.201520/V
		30	360	92	-	720	47	532	CRD700.201530	CRD700.201530/V
24x1,5 mm <sup>2</sup>	20,0	10	380	92	-	520	47	422	CRD520.241510	CRD520.241510/V
		15	380	92	-	570	47	422	CRD570.241515	CRD570.241515/V
		20	380	92	-	620	47	532	CRD600.241520	CRD600.241520/V
		25	390	92	-	720	47	532	CRD700.241525	CRD700.241525/V
		30	390	92	-	820	47	532	CRD800.241530	CRD800.241530/V
		40	390	92	-	820	47	532	CRD800.241540	
36x1,5 mm <sup>2</sup>		13	350	92	-	570	47	422	CRD570.361513	CRD570.361513/V

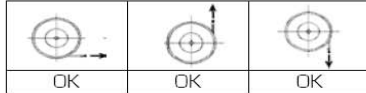


141.0

IP 65

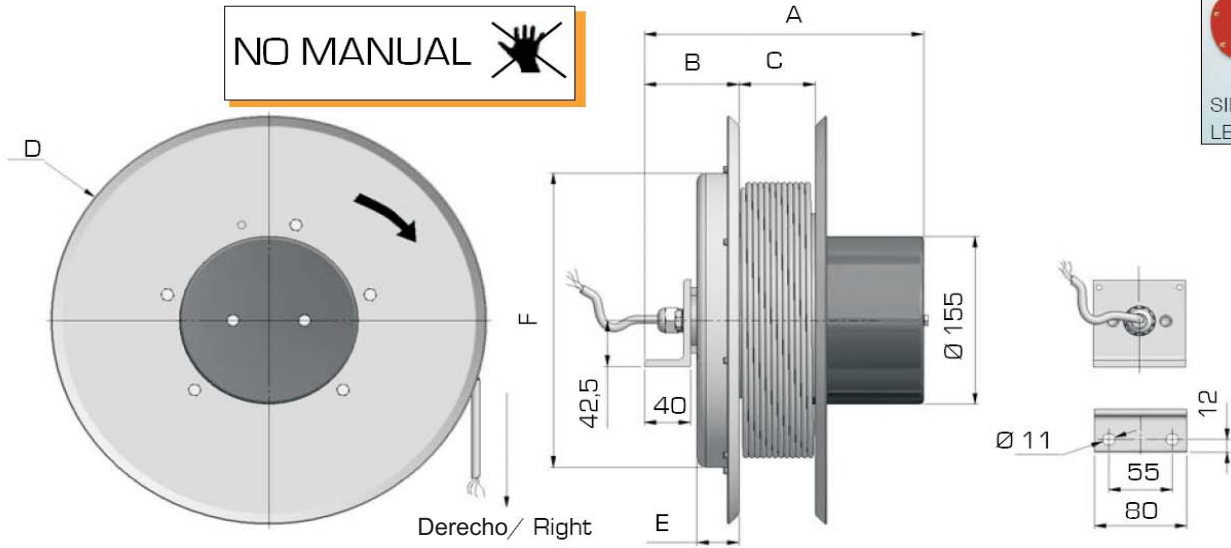
75 V  
MAX  
15 A

-20 / +60°C



**NO MANUAL**

**d'Emac** IZQUIERDO



CRD 520 = MODELO DERECHO / RIGHT MODEL  
CRS 520 = MODELO IZQUIERDO / LEFT MODEL

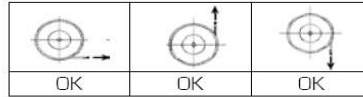
Cable/Cable			A	B	C	D	E	F	Uso horizontal Horizontal use	Uso vertical Vertical use
Tipo/Type	ø mm	mt.	mm						REFERENCIA	REFERENCIA
3x2,5 mm <sup>2</sup>	10,2	6	170	82	-	295	37	272	CRD 295.032506	CRD 295.032506/V
		10	170	82	-	370	37	322	CRD 370.032510	CRD 370.032510/V
		15	170	82	-	370	37	322	CRD 370.032515	CRD 370.032515/V
		20	180	92	-	478	47	422	CRD 470.032520	CRD 470.032520/V
		30	180	92	-	620	47	532	CRD 600.032530	CRD 600.032530/V
4x2,5 mm <sup>2</sup>	11,0	6	180	82	-	295	37	272	CRD 295.042506	CRD 295.042506/V
		10	180	82	-	370	37	322	CRD 370.042510	CRD 370.042510/V
		15	180	82	-	370	37	322	CRD 370.042515	CRD 370.042515/V
		20	190	92	-	478	47	422	CRD 470.042520	CRD 470.042520/V
		25	190	92	-	520	47	422	CRD 520.042525	CRD 520.042525/V
		30	200	92	-	620	47	532	CRD 600.042530	CRD 600.042530/V
5x2,5 mm <sup>2</sup>	13,0	10	190	82	-	370	37	322	CRD 370.052510	CRD 370.052510/V
		15	190	82	-	478	47	422	CRD 470.052515	CRD 470.052515/V
		20	200	92	-	520	47	422	CRD 520.052520	CRD 520.052520/V
		30	210	92	-	720	47	532	CRD 700.052530	CRD 700.052530/V
7x2,5 mm <sup>2</sup>	14,0	10	220	82	-	400	37	322	CRD 400.072510	CRD 400.072510/V
		20	230	92	-	520	47	422	CRD 520.072520	CRD 520.072520/V
		25	230	92	-	570	47	422	CRD 570.072525	CRD 570.072525/V
		40	250	92	-	820	47	532	CRD 800.072540	-
12x2,5 mm <sup>2</sup>	17,7	10	280	92	-	478	47	422	CRD 470.122510	CRD 470.122510/V
		20	290	92	-	720	47	532	CRD 700.122520	CRD 700.122520/V
		30	290	92	-	820	47	532	CRD 800.122530	CRD 800.122530/V

141.0

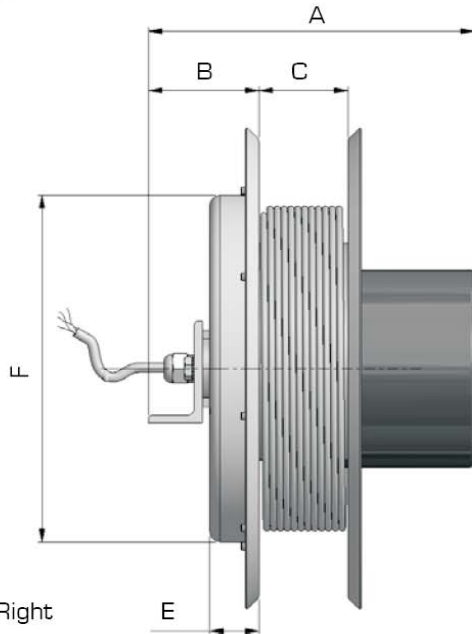
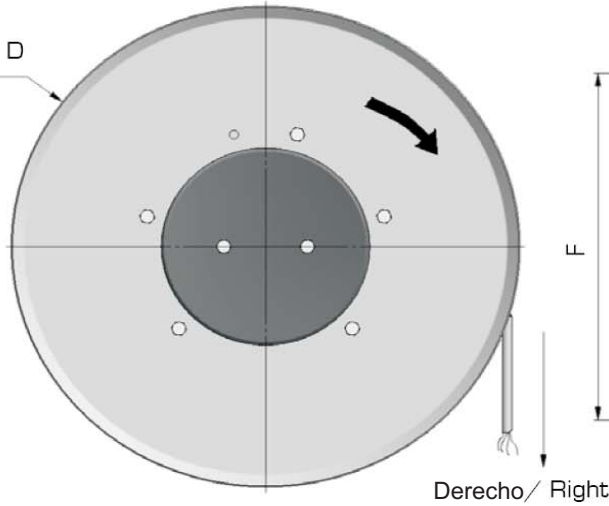
IP 65

230 - 400 V

-30 / +60°C



6002 R = MODELO DERECHO / RIGHT MODEL  
6002 L = MODELO IZQUIERDO / LEFT MODEL



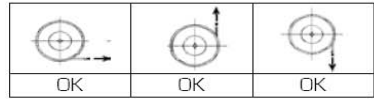
**NO MANUAL**

Cable / Cable			V	Colector	KW		A	B	C	D	E	F	REFERENCIA / CODE							
Tipo / Type	ø mm	mt.			Slip-ring									mm						 Uso horizontal Horizontal use
3	3x1,5 mm <sup>2</sup>	8	15	2F+T	1,2	3,5	170	82	-	370	37	322	<b>6002R</b>	<b>6002R</b>						
		25	230				180	92	-	420	47	422	<b>6003R</b>	<b>6003R</b>						
		30					180	92	-	478	47	422	<b>6004R</b>	<b>6005R</b>						
	3x2,5 mm <sup>2</sup>	10,2	15	2F+T	1,6	5	170	82	-	370	37	322	<b>6010R</b>	<b>6010R</b>						
		20	230				180	92	-	478	47	422	<b>6011R</b>	<b>6011R</b>						
		30					180	92	-	620	47	532	<b>6012R</b>	<b>6013R</b>						
4	4x1,5 mm <sup>2</sup>	9,3	10	3F+T	4	6	180	82	-	295	37	272	<b>6020R</b>	<b>6020R</b>						
			15				180	82	-	370	37	322	<b>6021R</b>	<b>6021R</b>						
			20				400	190	92	-	420	47	322	<b>6022R</b>	<b>6022R</b>					
			25					190	92	-	520	47	422	<b>6023R</b>	<b>6024R</b>					
			30					30A	190	92	-	620	47	532	<b>6025R</b>	<b>6026R</b>				
			35						200	92	-	720	47	532	<b>6027R</b>	<b>6028R</b>				
	4x2,5 mm <sup>2</sup>	10,7	10	3F+T	7	9	180	82	-	370	37	322	<b>6035R</b>	<b>6035R</b>						
			15				180	82	-	370	37	322	<b>6036R</b>	<b>6036R</b>						
			20				400	190	92	-	478	47	422	<b>6037R</b>	<b>6037R</b>					
			25					190	92	-	520	47	422	<b>6038R</b>	<b>6039R</b>					
			30					30A	200	92	-	620	47	532	<b>6040R</b>	<b>6041R</b>				
			40									820			<b>6042R</b>	-				
	4x4 mm <sup>2</sup>	15	12	3F+T	11	15	180	92	-	478	47	422	<b>6050R</b>	<b>6050R</b>						
			16				180	92	-	520	47	422	<b>6051R</b>	<b>6052R</b>						
			20				400	190	92	-	570	47	422	<b>6053R</b>	<b>6054R</b>					
			25					190	92	-	620	47	532	<b>6055R</b>	<b>6056R</b>					
			4x6 mm <sup>2</sup>					14,5	10	3F+T	17	22	260	92	-	478	47	422	<b>6061R</b>	<b>6061R</b>
									15				260	92	-	520	47	422	<b>6062R</b>	<b>6063R</b>
	4x6 mm <sup>2</sup>	14,5	20	30A	17	22	270	92	-	570	47	422	<b>6064R</b>	<b>6065R</b>						
			25				270	92	-	620	47	532	<b>6066R</b>	<b>6067R</b>						
			40										<b>6068R</b>	-						
			4x10 mm <sup>2</sup>				18	13	3F+T	25	31	380	92	-	570	47	422	<b>6075R</b>	<b>6075R</b>	
	20	380		92	-	620		47				532	<b>6076R</b>	<b>6077R</b>						
	25	380		92	-	720		47				532	<b>6078R</b>	<b>6079R</b>						
4x16 mm <sup>2</sup>	22	10		3F+T	32	40		400				92	-	520	47	422	<b>6085R</b>	<b>6086R</b>		
		14	400				92	-	570	47	422	<b>6087R</b>	<b>6088R</b>							
		20	100A				400	92	-	620	47	532	<b>6089R</b>	<b>6090R</b>						
		20					400	92	-	620	47	532	<b>6095R</b>	<b>6096R</b>						
4x25 mm <sup>2</sup>	26	15	3F+T	40	50	400	92	-	620	47	532	<b>6095R</b>	<b>6096R</b>							
		20				440	92	-	720	47	532	<b>6097R</b>	<b>6098R</b>							

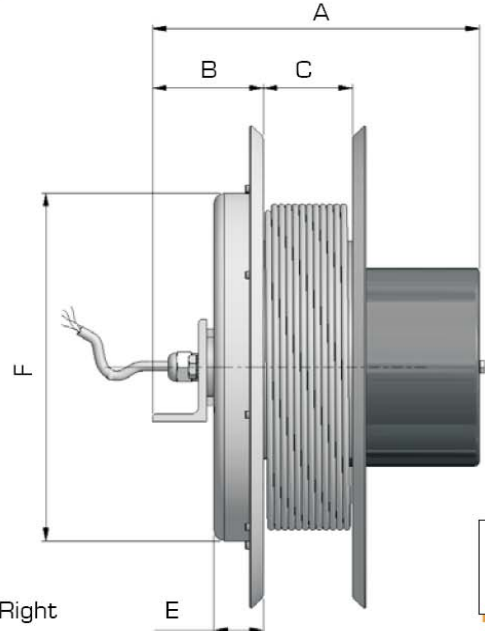
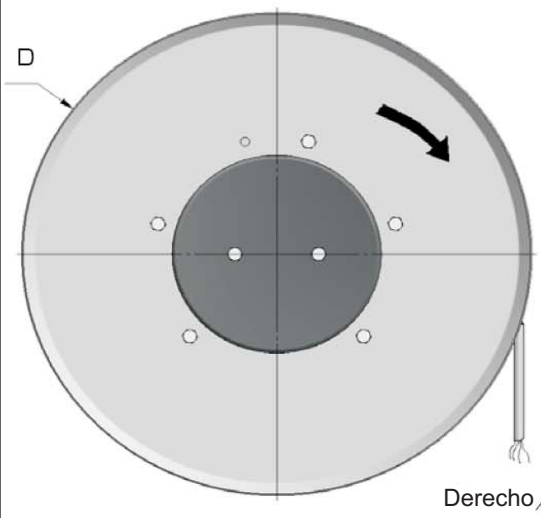


141.0

IP 65    230 - 400 V    -30 / +60°C



6002 R = MODELO DERECHO / RIGHT MODEL  
 6002 L = MODELO IZQUIERDO / LEFT MODEL



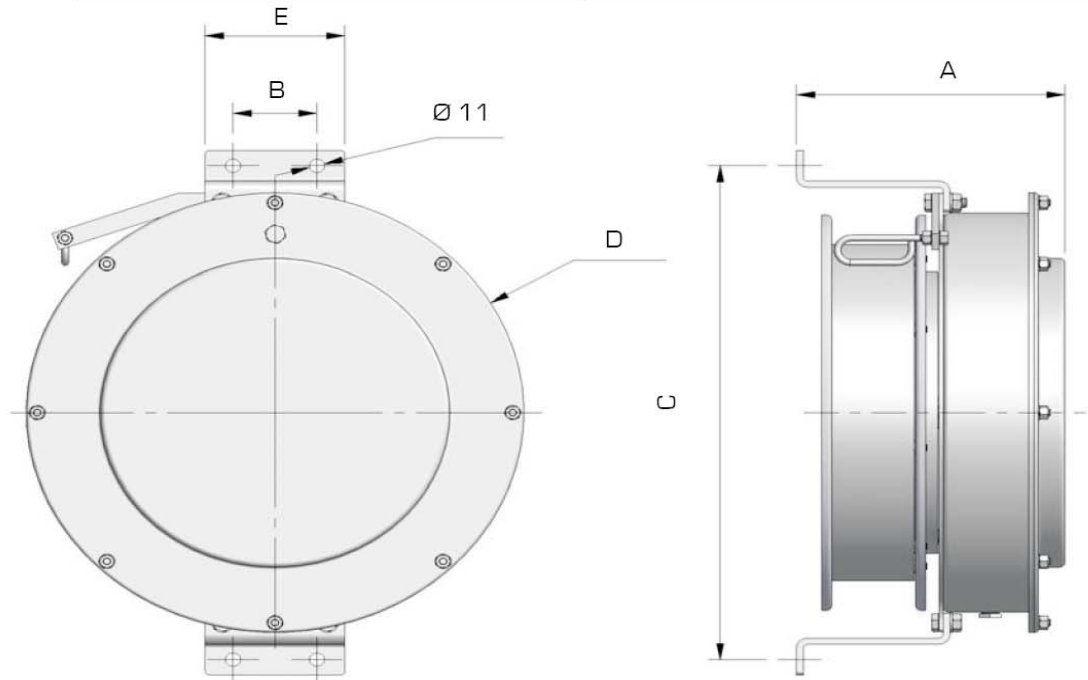
**NO MANUAL**

Cable / Cable			V	Colector	KW		A	B	C	D	E	F	REFERENCIA / CODE			
Tipo / Type	ø mm	mt.			Slip-ring									mm		
5	5x1,5 mm <sup>2</sup>	10	10	3F+N+T	1,2	3,5	190	82	-	370	37	322	<b>6105R</b>	<b>6105R</b>		
			25				400	200	92	-	520	47	422	<b>6106R</b>	<b>6107R</b>	
			30				30A	210	92	-	720	47	532	<b>6108R</b>	<b>6109R</b>	
	5x2,5 mm <sup>2</sup>	13	10	3F+N+T	7	9	190	82	-	370	37	322	<b>6115R</b>	<b>6115R</b>		
			20				400	200	92	-	520	47	422	<b>6116R</b>	<b>6117R</b>	
			30				30A	210	92	-	720	47	532	<b>6118R</b>	<b>6119R</b>	
	5x4 mm <sup>2</sup>		10													
			20													
			30													
	5x6 mm <sup>2</sup>		10													
			20													
			30													
7	7x2,5 mm <sup>2</sup>	14	10	30A	7	9	220	82	-	370	37	322	<b>6125R</b>	<b>6125R</b>		
			20				400	230	92	-	500	47	422	<b>6126R</b>	<b>6127R</b>	
			25				6	8	230	92	-	570	47	422	<b>6128R</b>	<b>6129R</b>
			40				250	92	-	820	47	532	<b>6130R</b>	<b>6131R</b>		
12	12x1,5 mm <sup>2</sup>	15	10	30A	1,2	3,5	280	82	-	370	37	322	<b>6140R</b>	<b>6140R</b>		
			20				400	290	92	-	520	47	422	<b>6141R</b>	<b>6142R</b>	
			30				290	92	-	720	47	532	<b>6143R</b>	<b>6144R</b>		
	12x2,5 mm <sup>2</sup>		10									<b>6145R</b>	<b>6146R</b>			
			15									<b>6147R</b>	<b>6148R</b>			
24	24x1,5 mm <sup>2</sup>	20,8	14	30A	1,2	3,5	446	92	-	570	47	422	<b>6170R</b>	<b>6171R</b>		
			20				400	456	92	-	620	47	532	<b>6172R</b>	<b>6173R</b>	
			35				456	92	-	820	47	532	<b>6174R</b>	-		
			40				456	92	-	820	47	532	<b>6175R</b>	-		
	24x2,5 mm <sup>2</sup>	22,8	15	30A	6	8	460	92	-	620	47	532	<b>6180R</b>	<b>6181R</b>		
			20				400	470	92	-	720	47	532	<b>6182R</b>	<b>6183R</b>	
			25				470	92	-	820	47	532	<b>6184R</b>	<b>6185R</b>		





141.0

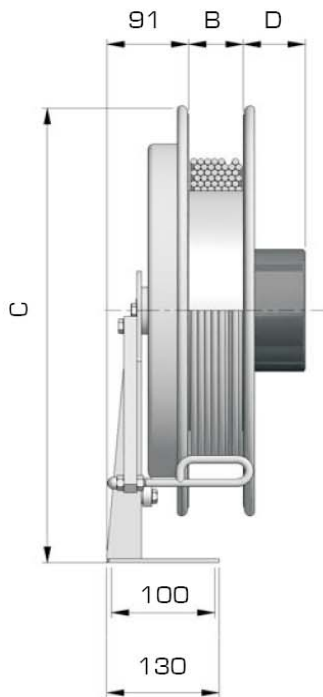


NUM. CONTACTOS CONTACTS N°	CABLE			MODELO MODEL	A	B	C	D	E	PESO		
	CABLE									WEIGHT		
	TIPO TYPE	Ø mm	Longitud Length m	mm							Kg	
0	CUERDA DE HILO DE ACERO	1,5	2	LR 195.02								
		1,5	5	LR 195.05								
		1,5	11	LR 195.11								
	STEEL WIRE ROPE	4,0	20	LR 320.20								
		4,0	30	LR 470.30								
	4,0	40	LR 570.40									
3	3x0,25 PROTEGIDO SCREENED	3,8	10	LR 320.032510								
			20	LR 320.032520								
			30	LR 470.032530								
			40	LR 570.032540								
			50	LR 570.032550								
7	7x0,34 PROTEGIDO SCREENED	6,3	10	LR 320.073410								
			20	LR 470.073420								
			30	LR 520.073430								
			40	LR 570.073440								

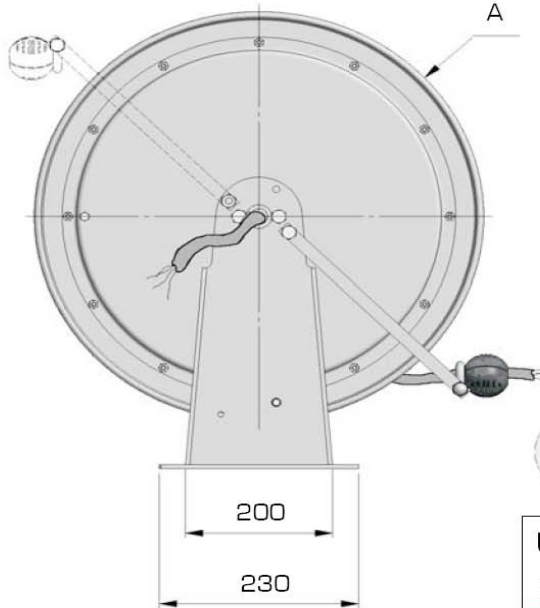
TRANSDUCTOR DE LONGITUD (POTENCIOMETRO) - AÑADIR "1P" PARA UN POTENCIOMETRO  
 O "2P" PARA DOS POTENCIOMETROS  
 TRANSDUCTOR DE ANGULO (INCLINOMETRO) - AÑADIR "1I" PARA UN INCLINOMETRO  
 O "2I" PARA DOS INCLINOMETROS

LENGTH TRANSDUCER (POTENTIOMETER) - ADD - "1P" - FOR ONE POTENTIOMETER  
 OR - "2P" - FOR TWO POTENTIOMETERS  
 ANGLE TRANSDUCER (INCLINOMETER) - ADD - "1I" - FOR ONE INCLINOMETER  
 OR - "2I" - FOR TWO INCLINOMETERS

141.0



IP 65      230 - 400 V      -20/+ 60 °C

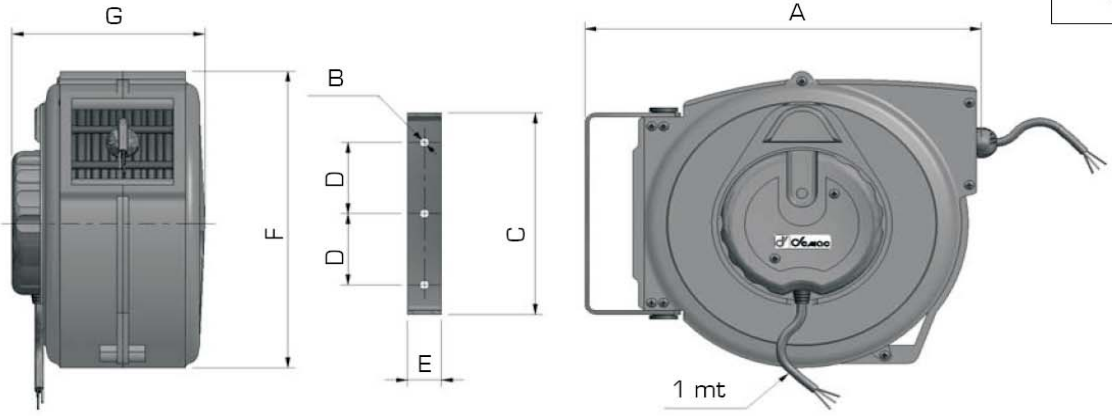


USO MANUALE  
MANUAL USE

Cable/Cable			V	Colector	KW		A	B	C	D	REFERENCIA
Tipo/Type	ø mm	m		Slip-ring			mm				
1x16 mm <sup>2</sup>		10									519
		20									520
		30									
1x25 mm <sup>2</sup>		10									525
		20									526
		30									
3x1,5 mm <sup>2</sup>		10									531
		20									532
		30									
3x2,5 mm <sup>2</sup>		10									537
		20									538
		30									
4x1,5 mm <sup>2</sup>		10									543
		20									544
		30									
4x2,5 mm <sup>2</sup>		10									549
		20									550
		30									
4x4 mm <sup>2</sup>		10									555
		20									556
		30									
4x6 mm <sup>2</sup>		10									561
		20									562
		30									
5x1,5 mm <sup>2</sup>		10									567
		20									568
		30									
5x2,5 mm <sup>2</sup>		10									573
		20									574
		30									
5x4 mm <sup>2</sup>		10									579
		20									580
		30									









141.0


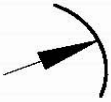

Automático con dispositivo de bloqueo de cable y brazo giratorio  
 Auto roller cable reel with cable lock and mounting bracket  
 Automatique avec système d'arrêt du cable et étrier pivotant  
 Automatisch mit Kabel und schwenkbarer Halterung



REFERENCIA	ART.	CABLE	m	V	W		A	B	C	D	E	F	G	PESO WEIGHT Kg	
														mm	
811001	701	1x6	15												
800200	710	2x1	7	230											
811180	711		15	230											
811230	713		15	12											
811220	713		15	24											
800100	720	3x1,5	5	230											
811190	721		10												
811020	722		15												
807004	723		25												
880400	724		35												
807225	740	5x1,5	20	380											
880600	741	5x1,5	30	380											

141.0

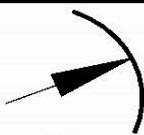

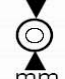
SB1	TERMOPLASTICO CON 1 REFUERZO DE ACERO TRENZADO THERMOPLASTIC WITH 1 STEEL BRAID REINFORCEMENT	
1SN	GOMA SINTETICA CON 1 REFUERZO DE ACERO TRENZADO SYNTHETIC RUBBER WITH 1 STEEL BRAID REINFORCEMENT	
2SN	GOMA SINTÉTICA CON 2 REFUERZOS DE ACERO TRENZADO SYNTHETIC RUBBER WITH 2 STEEL BRAIDS REINFORCEMENT	
R16	GOMA SINTÉTICA CON 2 REFUERZOS DE ACERO TRENZADO SYNTHETIC RUBBER WITH 2 STEEL BRAIDS REINFORCEMENT	
4SP - 4SH	GOMA SINTÉTICA CON 4 REFUERZOS DE ACERO TRENZADO SYNTHETIC RUBBER WITH 4 STEEL BRAIDS REINFORCEMENT	
2TE	GOMA SINTETICA CON 1 REFUERFO DE POLIESTER SYNTHETIC RUBBER WITH 1 POLYESTER BRAID REINFORCEMENT	
I21	GOMA SINTÉTICA CON 1 REFUERZO DE ACERO TRENZADO SYNTHETIC RUBBER WITH 1 STEEL BRAID REINFORCEMENT	
I40	GOMA SINTÉTICA CON 2 REFUERZOS DE ACERO TRENZADO SYNTHETIC RUBBER WITH 2 STEEL BRAIDS REINFORCEMENT	

Diametro nominal Nominal diameter				PESO	TIPO	Presión de trabajo
PULGADAS				WEIGHT	TYPE	Working press.
	mm	mm	mm	Kg/m		bar
1/4"	6,35	12,2	30	0,17	SB1	275
		14,1	100	0,21	1SN	225
		15,7	100	0,37	2SN	400
		13,5	70	0,29	R16	400
						I40
5/16"	7,54	13,4	55	0,19	SB1	212
		15,7	115	0,33	1SN	215
		17,3	115	0,37	2SN	350
		15	80	0,35	R16	350
		14,1	60	0,22	I21	210
3/8"	9,53	16	65	0,26	SB1	212
		18,1	130	0,34	1SN	180
		19,7	130	0,57	2SN	330
		17,9	90	0,47	R16	330
		21,4	178	0,78	4SP	445
1/2"	12,7	15,6	65	0,26	I21	210
		19,8	102	0,27	R6	28
		18,3	85	0,30	SB1	175
		19,7	70	0,27	2TE	58
		21,5	180	0,45	1SN	160
5/8"	16	23,1	180	0,65	2SN	275
		20,6	120	0,56	R16	275
		24,6	230	0,93	4SP	415
		19,5	90	0,41	I21	210
		20,6	120	0,51	I40	400
3/4"	19	23	127	0,32	R6	24
		24	90	0,35	2TE	50
		24,7	200	0,51	1SN	130
		26,3	200	0,79	2SN	250
		24,3	130	0,67	R16	250
1"	25	28,5	250	1,13	4SP	360
		27	110	0,42	2TE	45
		28,6	240	0,64	1SN	105
		30,2	240	0,95	2SN	215
		27,7	160	0,90	R16	215
1 1/4"	32	32	300	1,53	4SP	350
		34,4	135	0,60	2TE	40
		36,6	300	0,97	1SN	88
		38,9	300	1,50	2SN	165
		35,6	200	1,28	R16	165
1 1/2"	38	39,7	340	2,06	4SP	290
		44,8	420	1,90	1SN	63
		49,6	420	1,90	2SN	125
1 1/2"	38	45,5	460	2,51	4SH	325
		52	500	1,33	1SN	50
		58	500	2,30	2SN	90
		53,5	560	3,42	4SH	290







141.0

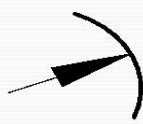


	R 7 R 8 CF	<b>TERMOPLASTICO CON REFUERZO DE TRENZA TEXTIL</b> <b>THERMOPLASTIC WITH TEXTILE BRAID REINFORCEMENT</b>
	B 1	<b>TERMOPLASTICO CON 1 REFUERZO DE ACERO TRENZADO</b> <b>THERMOPLASTIC WITH 1 STEEL BRAID REINFORCEMENT</b>
	B 2 B3	<b>TERMOPLASTICO O GOMA CON 2 REFUERZOS DE ACERO TRENZADO</b> <b>THERMOPLASTIC OR RUBBER WITH 2 STEEL BRAIDS REINFORCEMENT</b>





Diametro nominal Nominal diameter				PESO WEIGHT Kg/m	TIPO TYPE	Presión de trabajo Working pressure bar	Temperatura de trabajo Working temperature °C
PULGADAS	 mm	 mm					
3/16"	5,00	9,60	25	0,12	R7	206	
		9,80	40		B2	340	
1/4"	6,30	12,20	30	0,19	R7	200	
		12,20	30	0,20	R8	345	
		11,70	40	0,33	B1	275	
		13,50	40	0,53	B2	375	
		14,50			B3	700	
5/16"	8,00	14,40	45	0,25	R7	172	
		14,40	45	0,25	R8	300	
		13,40	55	0,37	B1	212	
		15,10	55	0,64	B2	310	
					CF		
3/8"	10,00	16,00	55	0,29	R7	160	
		16,00	55	0,29	R8	275	
		16,00	65	0,53	B1	212	
		17,00	90	0,80	B2	350	
		16,60	90	0,80	B3	420	
1/2"	12,50	20,00	75	0,42	R8	241	
		18,30	85	0,60	B1	175	
		20,00	130	1,04	B2	310	
		20,20	150	1,04	B3	350	
5/8"	16,00	25,00	160	1,32	B3	250	
3/4"	19,00	27,70	195	1,72	B3	225	

141.0

 **MANGUERAS DE 3 VÍAS**  
 **3 PORTS HOSES**  
 **TUYAU A 3 VOIES**  
 **DREIFACH-SCHLAÜCHE**

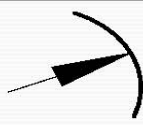




Diámetro nominal Nominal diameter				PESO WEIGHT Kg/m	TIPO TYPE	Presión de trabajo Working press. bar	Temperatura de trabajo Working temperature °C
PULGADAS	 mm	 mm					
1/4"	6,35	12,2	30	0,285	R7	200	
		11,7	40	0,495	B1	275	
5/16"	7,54	14,4	45	0,375	R7	172	
		13,4	55	0,558	B1	212	
		15,5	55		B2	310	
3/8"	9,53	16	55	0,440	R8	275	
		16	65	0,792	B1	212	
		16,6	90	1,200	B3	420	
1/2"	12,70	18,4	85	0,900	B1	175	
		20,2	150	1,560	B3	350	

 **MANGUERAS DE 3 VÍAS + CABLE**  
 **3 PORTS HOSES + CABLE**  
 **TUYAUX A 3 VOIES + CABLE**  
 **DREIFACH-SCHLAÜCHE + KABEL**



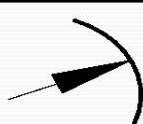


**TU 3 + E**

Diámetro nominal Nominal diameter				PESO WEIGHT Kg/m	TIPO TYPE		Presión de trabajo Working press. bar
PULGADAS	 mm	 mm			TUBO HOSE	CAVO CABLE MAX	
1/4"	6,35	12,2	30	0,381	R7	4x1	200
		11,7	40		B1	4x1	275
5/16"	7,54	14,4	45	0,517	R7	6x1	172
		13,4	55		B1	6x1	212
		15,5	55		B2	6x1	310
3/8"	9,53	16	65		B1	8x1	212
		16,6	90	1,175	B3	8x1	420
1/2"	12,7	18,4	85		B1	12x1	175
		20,2	150		B3	12x1	350

 **MANGUERAS DOBLES + CABLE**  
 **TWIN HOSES + CABLE**  
 **TUYAUX JUMEELES + CABLE**  
 **DOPPELSCHLAÜCHE + KABEL**



**TU 2 + E**

Diámetro nominal Nominal diameter				PESO WEIGHT Kg/m	TIPO TYPE		Presión de trabajo Working press. bar
PULGADAS	 mm	 mm			TUBO HOSE	CAVO CABLE	
1/4"	6,35	12,2	30	0,381	R7	8x1	200
5/16"	7,54	14,4	45	0,517	R7	12x1	172
3/8"	9,53	16	55	0,665	R7	12x1.5	160
		16	55	0,665	R8	12x1.5	275
		16,6	90	1,175	B3	12x1	420



**CABLES ELÉCTRICOS  
PARA CERRETE DE CABLE**



**ELECTRIC CABLES  
FOR CABLE-REEL**



**CABLE ELECTRIQUES POUR  
ENROULEUR DE CÂBLE**



**KABEL FÜR KABELROLLE**

**CABLE**



141.0

TIPO TYPE	mm	Kg/m	AMARILLO VERDE YELLOW - GREEN	CUBIERTA COVER	REFUERZO REINFORCEM. S = STEEL T = TEXTILE K = KEVLAR	°C	V U <sub>0</sub> / U
2	2x1	6	0,060	NO	PVC	S	-20 +60 300-500
3	3x0,25 SC	3,8	0,020	NO	PUR	K	-20 +60 300-500
	3x1	7,3	0,083	SI	PUR	T	-40 +80 600-1000
	3x1,5	8	0,108	SI	PVC	S	-20 +60 300-500
	3x2,5	10,2	0,170	SI	PVC	S	-20 +60 300-500
4	4x1	7,3					
	4x1,5	9,3	0,120	SI	PVC	S	-20 +60 300-500
	4x2,5	11	0,205	SI	PVC	S	-20 +60 300-500
	4x4	15	0,281	SI	RUB	T	-40 +80 600-1000
	4x6	14,5	0,372	SI	RUB H07	T	-40 +80 600-1000
	4x10	22	0,611	SI	RUB	T	-40 +80 600-1000
	4x16	24	1,120	SI	RUB	T	-40 +80 600-1000
	4x25	29	1,270	SI	RUB	T	-40 +80 600-1000
5	5x1,5	10	0,170	SI	PVC	T	-20 +60 300-500
	5x2,5	13	0,274	SI	PVC	S	-20 +60 300-500
	5x4	16,2	0,318	SI	RUB	T	-40 +80 600-1000
	5x6	18,5	0,550	SI	RUB	T	-40 +80 600-1000
6	6x1	10	0,149	NO	PVC	S	-20 +60 300-500
7	7x0,34 SC	6,3	0,070	NO	PUR	T	-20 +60 300-500
	7x1 SC	10,3	0,190	NO	PVC	T	-20 +60 300-500
	7x1,5	11,7	0,177	NO	PVC	S	-20 +60 300-500
	7x2,5				PVC		
	7x2,5	14,2	0,316	NO	PUR	T	-40 +80 600-1000
8	8x1	11	0,191	NO	PVC	S	-20 +60 300-500
	8x1				PUR		
12	12x0,5 SC	11,5	0,150	NO		T	-20 +60 300-500
	12x1	13	0,267	NO	PVC	S	-20 +60 300-500
	12x1	14,2	0,273	NO	PUR	T	-40 +80 600-1000
	12x1,5	14,7	0,375	NO	PVC	S	-20 +60 300-500
	12x1,5				PUR		
	12x2,5	17,7	0,540	NO	PVC	S	-20 +60 300-500
16	16x1	15,3	0,366	NO	PVC	S	-20 +60 300-500
	16x1,5	16,6	0,462	NO	PVC	S	-20 +60 300-500
20	20x1	14,8	0,400	NO	PVC	S	-20 +60 300-500
24	24x1	15,5	0,426	NO	PVC	S	-20 +60 300-500
	24x1,5	20,8	0,652	NO	PVC	S	-20 +60 300-500
	24x1,5	20,8	0,600	SI	PUR-H	T	-40 +80 600-1000
	24x2,5	22,8	0,820	SI	PUR-H	T	-40 +80 600-1000
30	30x1	17,3	0,444	NO	PUR	T	-40 +80 300-500
36	36x1	18,8	0,591	NO	PUR	T	-40 +80 300-500
	36x1,5	21,2		NO	PUR		-40 +80 300-500

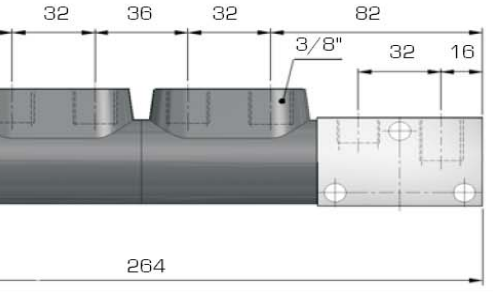
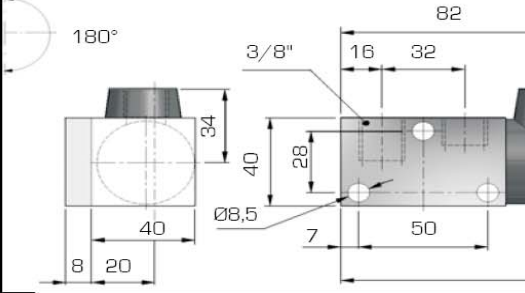
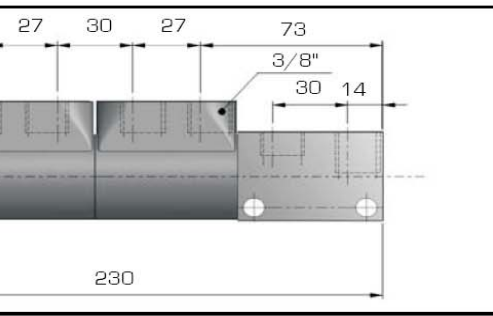
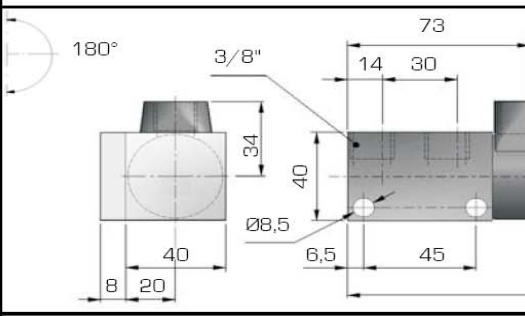
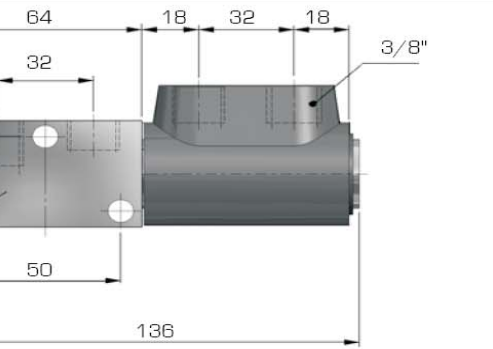
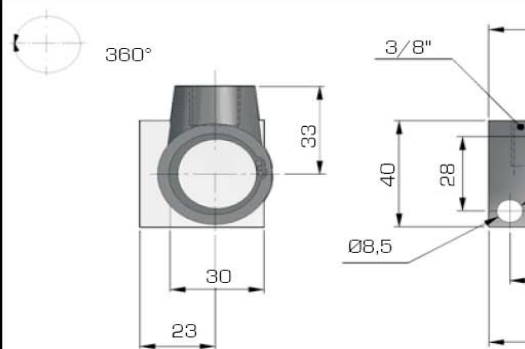
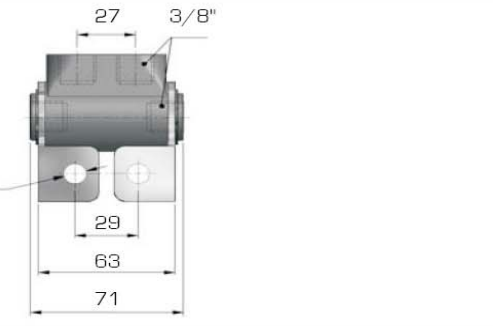
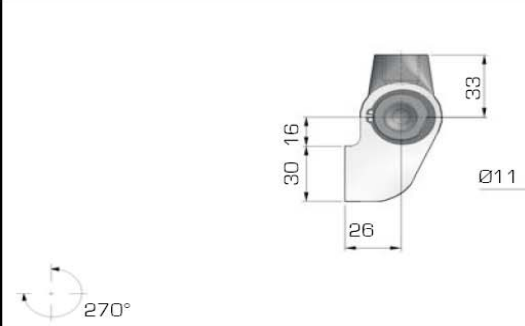
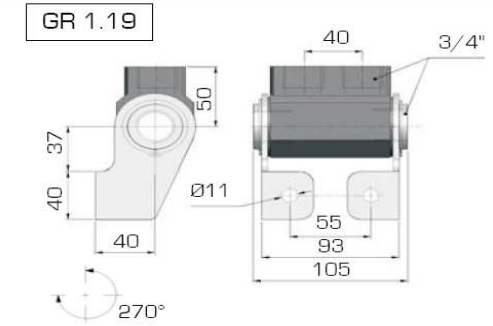
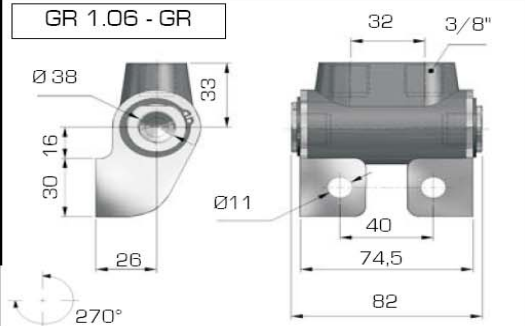
sc = schermato / screened





141.0

Presión de trabajo max. - Max Working pressure  
240 bar - 24 Mpa

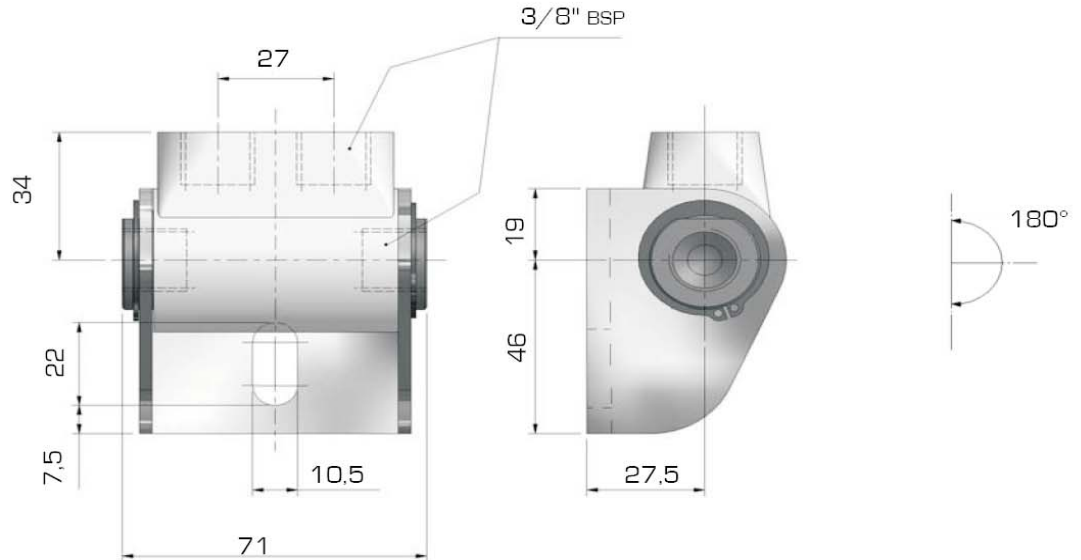


MODELO	VIA
MODEL	PORT
GR 1.06	2x1/4"
GR 1.10	2x3/8"
GR 1.19	2x3/4"
GR 5.06	2x1/4"
GR 5.10	2x3/8"
GR 2.10	2x3/8"
GR 4.10	4x3/8"
GR 4.12	4x3/8"

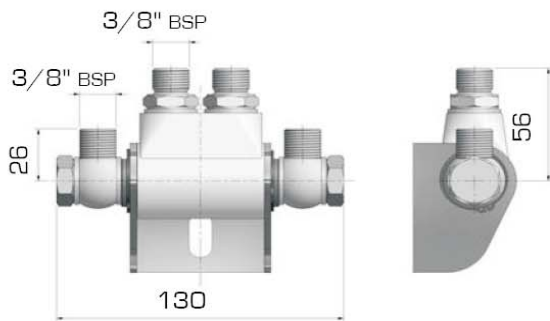
141.0

Presión de trabajo max. - Max Working pressure  
240 bar - 24 Mpa

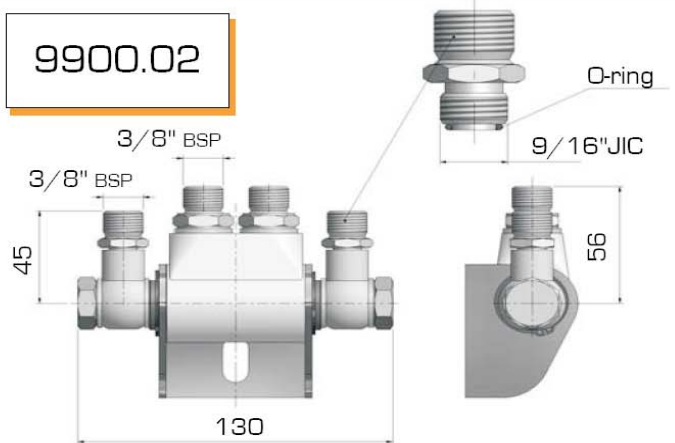
9900



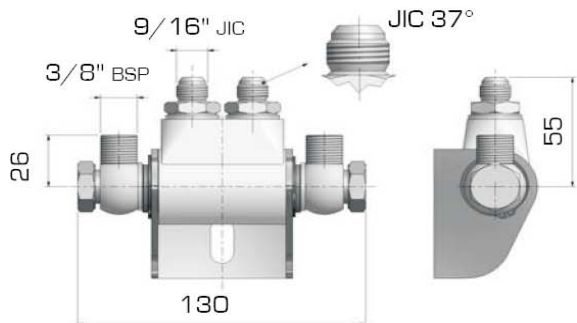
9900.01



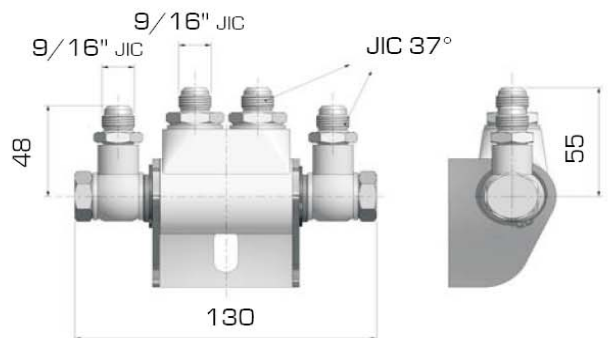
9900.02



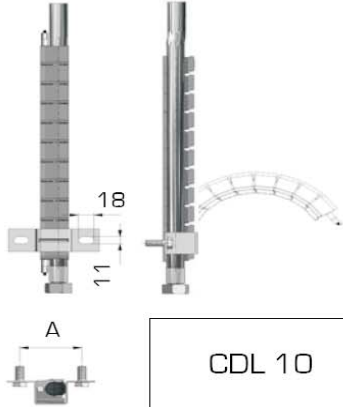
9900.03



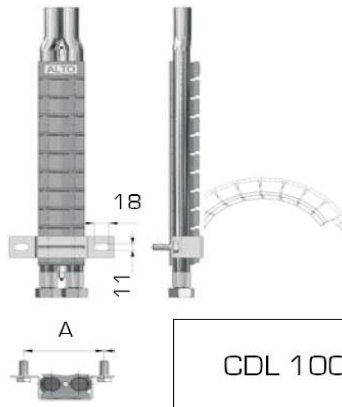
9900.04



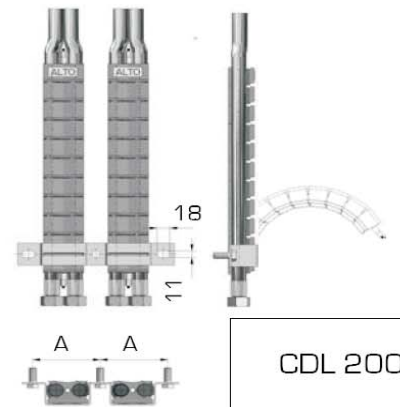
141.0



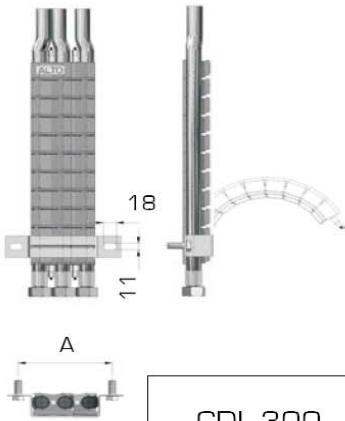
**CDL 10**



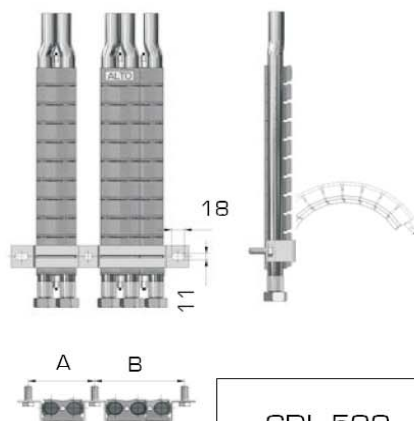
**CDL 100**



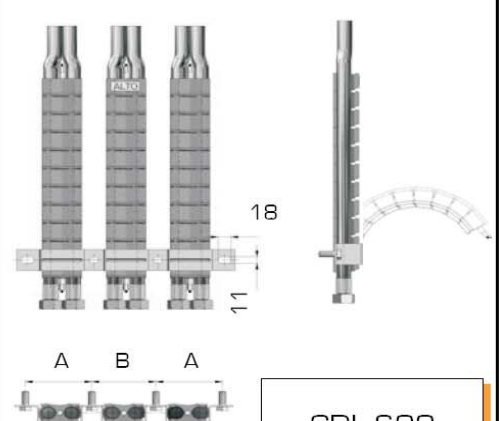
**CDL 200**



**CDL 300**



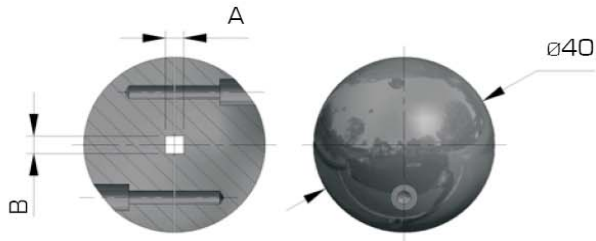
**CDL 500**



**CDL 600**

MODELO MODEL		VÍA PORT	A mm	B mm
CDL 10	CDL 12	1x1/2"		
CDL 100	CDL 105	2x3/16"	86	-
	CDL 106	2x1/4"		
	CDL 108	2x5/16"		
	CDL 110	2x3/8"		
	CDL 112	2x1/2"		
CDL 200	CDL 116	2x5/8"	98	-
	CDL 206	4x1/4"		
	CDL 208	4x5/16"		
	CDL 210	4x3/8"		
CDL 300	CDL 212	4x1/2"	89	-
	CDL 306	3x1/4"		
	CDL 308	3x5/16"		
	CDL 310	3x3/8"		
	CDL 312	3x1/2"		
CDL 500	CDL 316	3x5/8"	117	-
	CDL 506	5x1/4"		
	CDL 508	5x5/16"		
	CDL 510	5x3/8"		
CDL 600	CDL 512	5x1/2"	77,5	110
	CDL 606	6x1/4"		
	CDL 608	6x5/16"		
	CDL 610	6x3/8"	89	120
			78	68




**141.0**

**CODIGO**
**MANGUERA SIMPLE**
**MANGUERA DOBLE**
**A**
**B**
**CODE**
**SINGLE HOSE**
**TWIN HOSE**
**mm**
**mm**
  
 $\varnothing$  mm


  
 $\varnothing$  mm

700.01.08

5

-

4

4

700.01.80

10

-

9

9

700.01.76

12

-

700.01.09

15

-

14,5

-

700.01.10

17

-

16

-

700.01.11

19

-

18,5

-

700.01.27

22

-

21

-

700.01.28

25

-

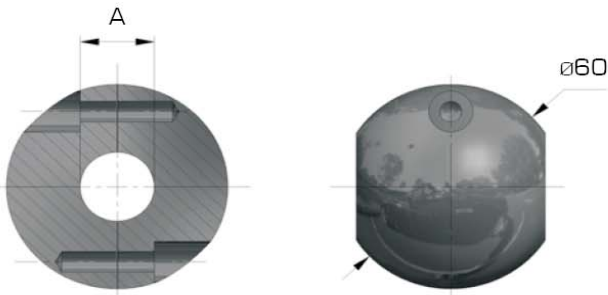
24

-

57

55

-



700.01.30

-

2x12

22

12

700.01.19

-

2x14

26

14

700.01.20

-

2x16

30

16

700.01.26

-

2x18

34

18

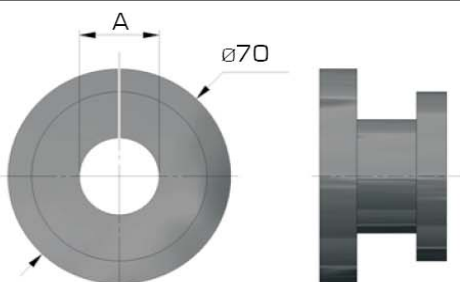
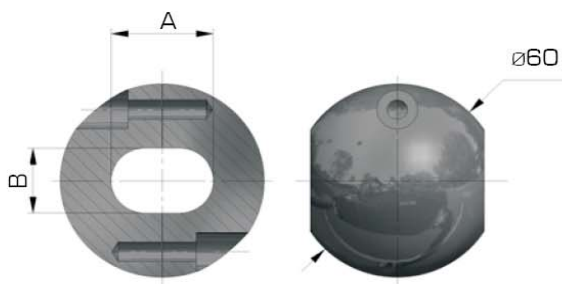
700.01.48

-

2x20

38

20



700.01.12

26 - 30

-

25

-

700.01.13

38 - 40

-

34

-



**GUÍA DE MANGUERA**



**HOSE GUIDE**

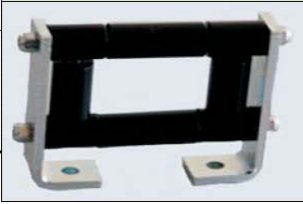


**GUIDE DU TUYAU**

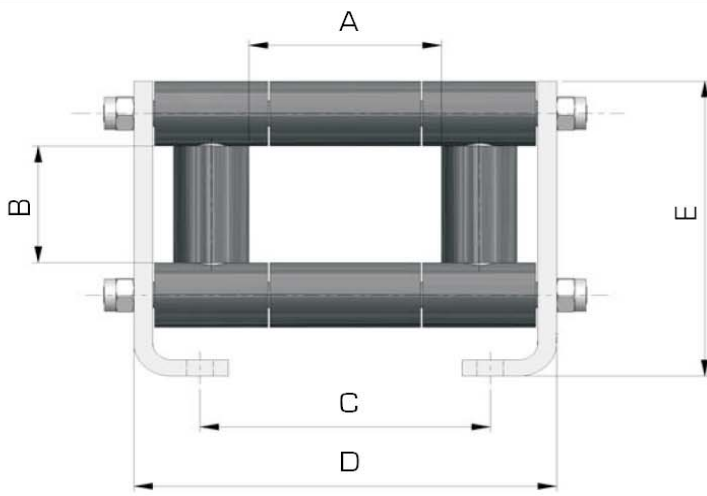


**SCHLAUCHFÜHRUNG**

**GU**



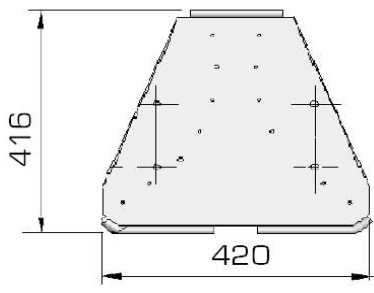
141.0



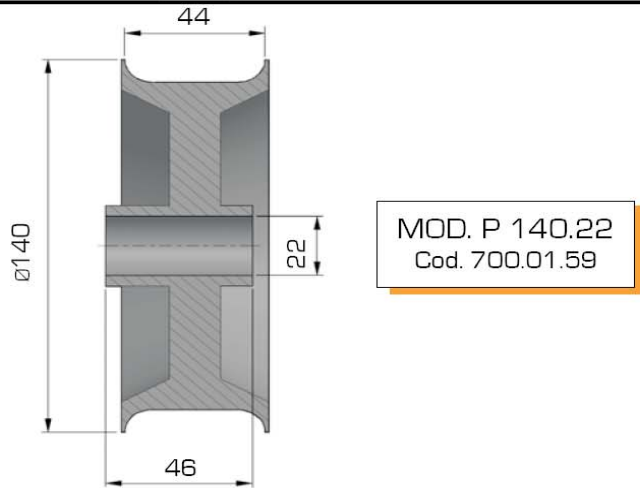
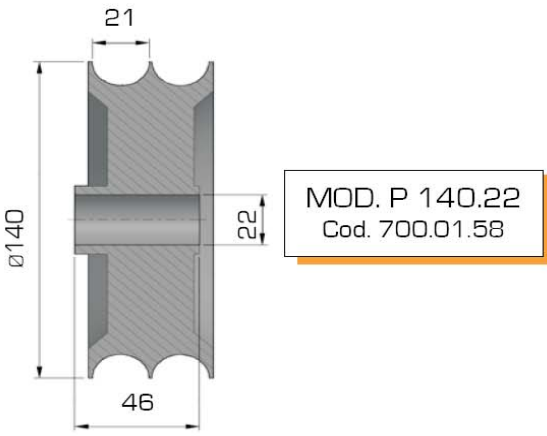
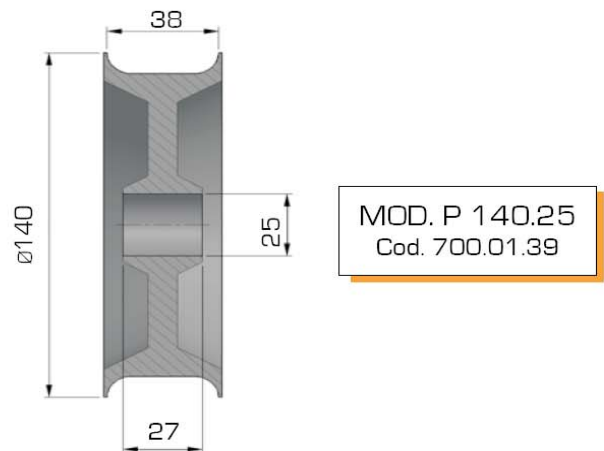
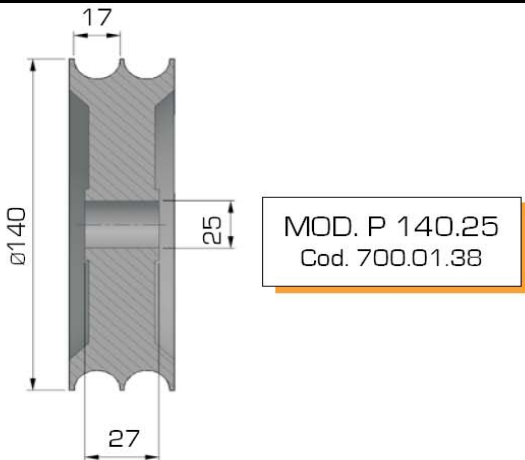
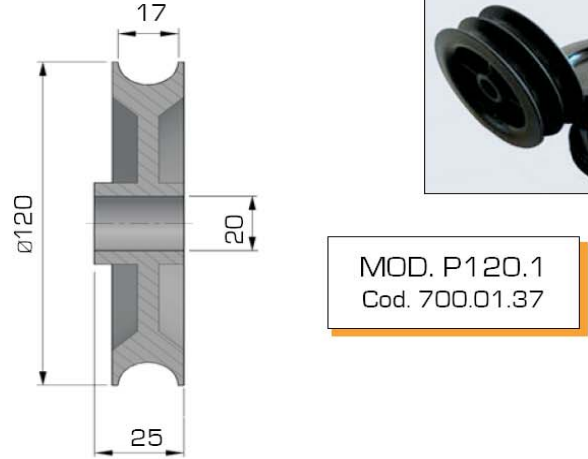
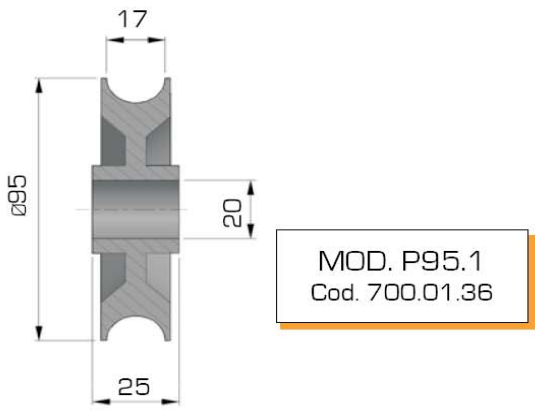
MODELO MODEL	A mm	B mm	C mm	D mm	E mm	○	○○	○○○	○○○○
9302	36	36	54	96	95	1/4"	1/4"	-	-
						5/16"	-	-	-
						3/8"	-	-	-
						1/2"	-	-	-
9300	56	36	74	116	95	-	-	1/4"	-
						-	5/16"	5/16"	-
						-	3/8"	-	-
						-	1/2"	-	-
9301	110	36	128	170	95	-	-	-	1/4"
						-	-	-	5/16"
						-	-	3/8"	3/8"
						-	-	1/2"	1/2"
9303	56	60	74	116	119	1 1/4"	-	-	-
9304	110	60							

**GUIDACAVO BIDIREZIONALE PER CAVO Ø MAX**  
**GUÍA PARA CABLE BIDIRECCIONAL Ø MAX**  
**ZWEISETTING GERICHTET KABELFÜHRUNG FÜR KABEL Ø**  
**GUIDE-CÂBLE POUR LE CÂBLE Ø MAX - A' DOUBLE DIRECTION**

9310

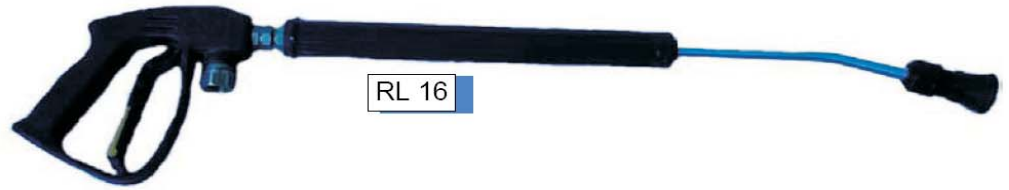


141.0





141.0



REFERENCIA CODE	DESCRIPCION DESCRIPTION	CONEXIÓN COUPLING	TEMP. DE TRABAJO WORK. TEMPERATURE		PRESIÓN DE TRABAJO WORK. PRESSURE		CAUDAL FLOW RATE MAX L/min
			MAX		MAX		
			°C	°F	bar	Mpa	
RL 16	Pistola de 3/8" con regulador de chorro	3/8"	100	210	175	17,5	30
MV 832	Pistola ... .. Con regulador de chorro	-	150	302	200	20	25
	Spray gun with flushing regulator						
6800	Pistola de 1/2" con regulador de chorro	1/2"	160	320	60	6	120
710.12.27	Pistola contra incendios con regulador de chorro	M38x1,5	60	140	40	4	170
710.12.28	Pistola de 1/2" regulador de chorro con	1/2"	90	195	24	2,4	100